



EAN code
SMR-B-SL/230V: 8595188189286

Technical parameters SMR-B-SL

Power supply

Connection:	4-wire
Supply voltage:	AC 230 V (50 Hz)
Consumption (max.):	2.5 VA/0.9 W
Supply voltage tolerance:	-15 %; +10 %

Time circuit

Number of functions:	10
Time range:	0.1 s – 10 d
Time setting:	rotary switch and potentiometer
Time deviation:	10 % – mechanical setting
Repeat accuracy:	2 % – set value stability
Temperature coefficient:	0.1 %/°C, at = 20 °C (0.1 %/°F, at = 68 °F)
Reset time (max.):	450 ms

Output

Contact type:	1× closing (AgSnO ₂)
Current rating:	10 A
Breaking capacity:	2500 VA
Electrical life (AC1):	100.000 ops.
Switching voltage:	AC 250 V
Power dissipation (max.):	to be determined
Mechanical life:	10.000.000 ops.

Control input S

Control voltage:	AC 230 V (-15%; +10%)
Load between S-N:	YES
Impulse length:	min. 20 ms/max. unlimited
Glow lamp connection (max.):	YES (20 mA)

Control input IN

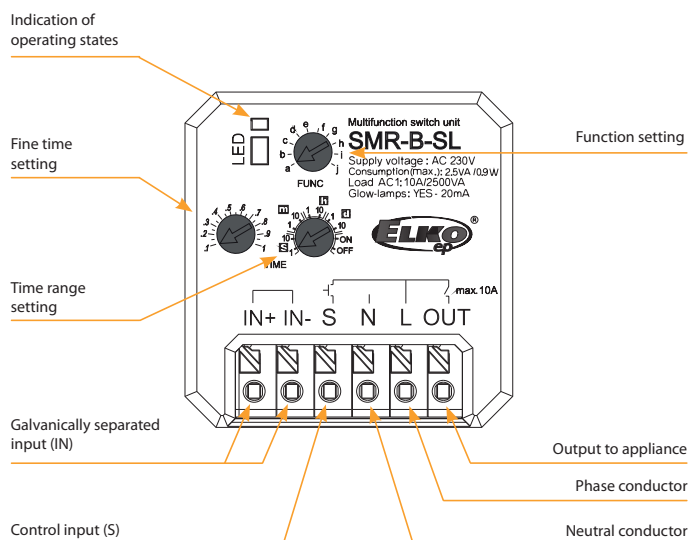
Control voltage:	AC/DC 12 – 230 V (-15%; +10%)
Load between S-N:	YES
Impulse length:	min. 20 ms/max. unlimited
Galvanic isolation:	YES
Input current (max.):	2 mA
Glow lamp connection:	NO

Other information

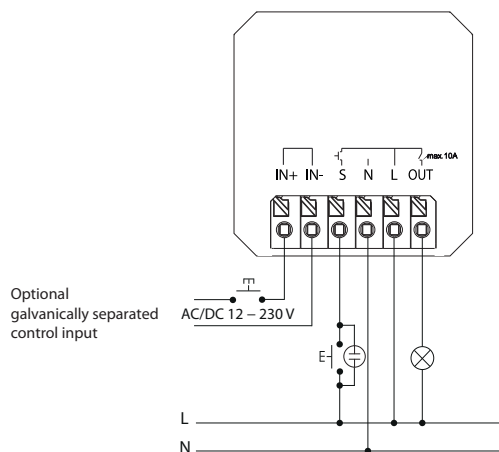
Operating temperature:	-20 .. +55 °C (-4 .. 131 °F)
Storage temperature:	-30 .. +70 °C (-22 .. 158 °F)
Dielectric strength:	AC 4 kV (supply - input IN)
Operating position:	any
Mounting:	loose on the supply wires
Protection degree:	IP40
Overvoltage category:	III.
Pollution degree:	2
Cross-wire section; solid/ stranded with ferrule (max.):	1× 1.5 mm ² (16 AWG), 2× 0.75 mm ² (18 AWG)/ 1× 1.5 mm ² (16 AWG), 2× 0.75 mm ² (18 AWG)
Dimensions:	43 × 44 × 22 mm (1.69" × 1.73" × 0.87")
Weight:	35 g (1.23 oz)
Standards:	EN 61812-1

- Multifunction time relay designed for installation in an installation box, under a push button or switch in an existing electrical installation.
- Screwless terminals speed up installation and save space in the installation box.
- 4-wire connection (with neutral wire).
- Two terminals for galvanically isolated input IN.
- The output contact switches the potential L (connected phase).
- Allows switching of all types of load.

Description



Connection



Functions

**SINGLE SHOT rising edge, programmable**

When input S/IN is closed, the output closes and starts timing. Each subsequent pressing (max. 5x) prolongs the set time and thus the delay length. When the delay runs out, the output opens. Long press >2s during the delay opens the output immediately.

**OFF DELAY 4**

When input S/IN is closed, the output closes. When input S/IN is open, timing starts. When the delay runs out, the output opens. If input S/IN is closed again during the delay (t), the output will open for few ms when the delay runs out and closes again.

**SINGLE SHOT falling edge**

When input S/IN is closed, nothing happens. When input S/IN is open, the output closes and timing starts. When the delay runs out, the output opens. Repeated closing/opening of input S/IN during the delay (t) doesn't affect its length.

**FLASHER - ON first with Control Signal**

When input S/IN is closed, the output closes and timing starts. The output opens when the delay runs out, and the timing starts from the beginning. The output closes when the delay runs out, and the timing starts from the beginning once again. This repeats until input S/IN is opened which stops the cycling function and opens output (if it was closed).

**ON/OFF DELAY 3**

When input S/IN is closed, the timing starts. The output closes when the delay runs out. When input S/IN is open, the timing starts again. The output opens when the delay runs out. If the input S/IN is closed and opened before first delay runs out, nothing happens. If the input S/IN is closed during second delay it will immediately stops the function and opens the output.

**ON DELAY with Control Signal 2**

When input S/IN is closed, the timing starts. The output closes when the delay runs out. When input S/IN is open, the output opens as well.

**ON/OFF DELAY 4**

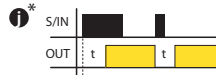
When input S/IN is closed, the timing starts. The output closes when the delay runs out. When input S/IN is open, nothing happens. When input S/IN is closed again, the timing starts. The output opens when the delay runs out. When input S/IN is open again, nothing happens.

**MEMORY LATCH with Delay**

When input S/IN is closed, the output closes and timing starts. When the delay runs out, the output opens. The output opens immediately if the input S/IN is open and closed before the delay runs out.

**FLASHER - OFF first with Control Signal**

When input S/IN is closed, the timing starts. The output closes when the delay runs out, and timing starts from the beginning. The output opens when the delay runs out, and the timing starts from the beginning once again. This repeats until input S/IN is opened which stops the cycling function and opens output (if it was closed).

**ON DELAY with Control Signal***

When input S/IN is closed, the timing starts. The output closes when the delay runs out. When input S/IN is open, nothing happens. When input S/IN is closed again, the output opens and timing starts again. The output closes when the delay runs out.

Note.: * this function is valid only for SMR-B or SMR-B-SL