



EAN code
mini CU3-07M: 8595188176262

Technical parameters CU3-07M

Indication LED STATUS

Green LED RUN:	Flashing - communication with BUS, ON - no communication
Red LED ERR:	Flashing - no project, ON - unit STOP

Communication

BUS	
Indication (LED BUS):	green - unit status indication red - BUS fault indication
Maximum number of units:	max. 32 units to one BUS line
Maximum cable length:	max. 500 m (depends on power loss)

BUS RS-485	
Indication (LED RS 485):	green - indication communication red - fault indication
Maximum cable length:	max. 500 m

Ethernet	
Connector:	RJ45
Communication speed:	100 Mbps
Indication of the Ethernet (LED ETH):	green - Ethernet communication yellow - Ethernet speed 100 Mbps
The default IP address:	192.168.1.1

Button RESET

Restart:	short press
Reset (Factory Reset):	press the button to apply power, release the button 10s after power is applied

Power supply

Supply voltage/tolerance:	27 V DC, -20/+10 %
Rated current:	55 mA (at 27 V DC)

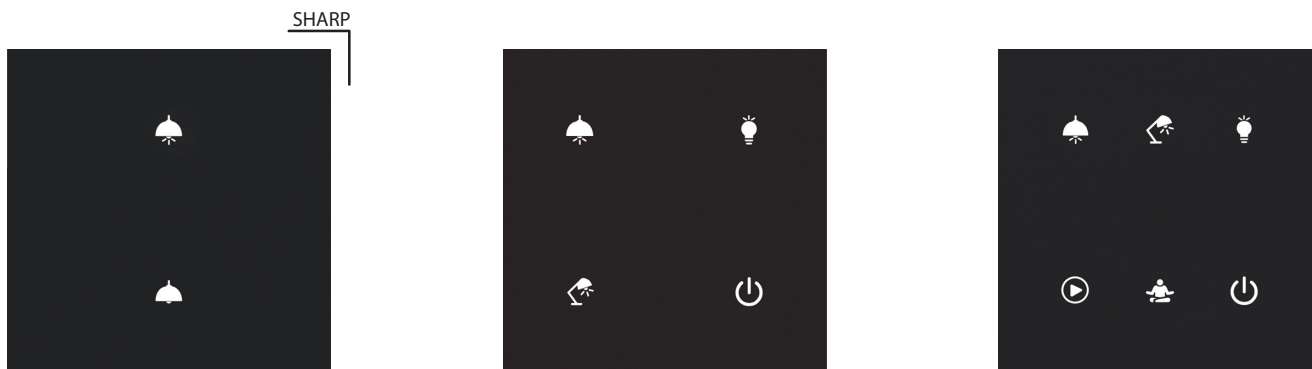
Operating conditions

Operating temperature:	-20 to +55 °C
Storage temperature:	-25 to +70 °C
Humidity:	max. 80%
Protection degree:	IP20 devices, IP40 with cover in the switchboard
Overvoltage category:	II.
Pollution degree:	2
Operating position:	any
Installation:	to the switching board on the EN60715 DIN rail
Design:	1-MODULE
Terminal:	max. 2.5 mm ²

Dimensions and weight

Dimensions:	94 x 17.6 x 64 mm
Weight:	72 g

- CU3-07M is a small central unit of 1M size for managing small projects such as a hotel room, small apartment or cottage.
- Configuration is performed by software iNELS designer and manager iDM3, or is possible to use superior control by ASCII communication with CU3.
- The unit can work as a stand-alone master for installation or as a slave for the superior CU3-0xM.
- The CU3-07M is equipped with one BUS branch to which up to 32 iNELS BUS units can be connected.
- For communication and configuration, the unit is equipped with an RJ45 connector with a 100Mbps Ethernet port.
- For ModBus communication, eg with Fancoils and Thermostats in the hotel room, the unit is equipped with RS-485 bus.
- CU3-07M in 1-MODULE version is designed for mounting into a switch-board, on DIN rail EN60715.



EAN code
 GSB3-20/SB: 8595188156219
 GSB3-40/SB: 8595188156233
 GSB3-60/SB: 8595188156257

The picture of device is illustrative, the icons (symbols) are configurable by the customer.

Technical parameters GSB3-20/S GSB3-40/S GSB3-60/S

Inputs

Temperature measuring:	YES, built-in temperature sensor
Scope and accuracy of temp. measurement:	0 to +55°C; 0.3°C from the range
Inputs:	2x AIN/DIN
Resolution:	by setting 10-bit
External temperature sensor:	YES, the connection between AIN1/DIN1 and AIN2/DIN2
Type of external sensor:	TC/TZ
Temperature measurement range:	-20°C to +120°C
Temperature measurement accuracy:	0.5°C from the range
Illuminance sensor:	1 to 100 000 Lx

Buttons

Number of control buttons:	2	4	6
Type:	Capacitive		
Indication:	Coloured illuminated symbol		

Outputs

Acoustic output:	piezo-changer
Tactile output:	Vibration motor

Communication

Installation BUS:	BUS
-------------------	-----

Power supply

Supply voltage/tolerance:	27 V DC, -20/+10 %		
Dissipated power:	max. 0.5 W		
Rated current:	25-35 mA	25-43 mA	25-50 mA
	(at 27 V DC), from BUS		

Connection

Terminals:	0.5 - 1 mm ²
------------	-------------------------

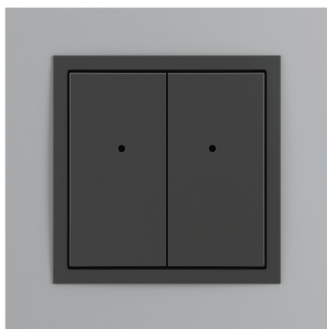
Operating conditions

Relative humidity:	max. 80 %
Operating temperature:	-20 to +55 °C
Storing temperature:	-30 to +70 °C
Protection degree:	IP20
Overvoltage category:	II.
Pollution degree:	2
Operation position:	any
Installation:	on the wall, observing the conditions for correct installation of the thermostat

Dimensions and weight

Dimensions:	94 x 94 x 36 mm
Weight:	154 g

- Glass touch controllers with symbols GSB3-20/S, GSB3-40/S and GSB3-60/S are part of a comprehensive range of glass iNELS control units and can be advantageously used in all projects for example as a part of guest room management system (GRMS).
- GSB3-20/S is equipped with two, GSB3-40/S with four and GSB3-60/S six touch buttons whose functions can easily modify by the software.
- Printing is possible to customize to the investor requirements.
- Individual symbols can be illuminated in one of seven colours - red, green, blue, yellow, pink, turquoise and white.
- Glass touch panel is a design component of the iNELS system and is available in elegant black (GSB3-20/SB, GSB3-40/SB, GSB3-60/SB) and white (GSB3-20/SW, GSB3-40/SW, GSB3-60/SW) versions.
- All versions are in the size of the module (94x94 mm) from the line of luxury switches and sockets LOGUS⁹⁰ and are therefore fully in line with the design of frames for the sockets of this series, where you can just as for the controllers choose white and black glass frames.
- The glass touch controllers is equipped with an integrated temperature sensor. It is also equipped with two analog-to-digital inputs (AIN/DIN), which can be used to connect two potential-free contacts or one external temperature sensor TC/TZ (for example temperature measurement of the floor).
- The glass touch controllers are also equipped with a sensor of ambient light intensity. Based on information from the sensor it can switch backlight of symbols or perform various actions in the iDM3 software, for example also switch the lighting circuits in the room.
- Advantages over conventional switches/buttons are saving space, signalling the state of any system output, the ability to measure temperature as well as the ability to connect external buttons or detectors.
- Each button can control any actuator (appliance) in the system. Also, you can assign each button a different function or macro (set of functions). It is therefore possible to use one button to control several appliances at once.
- GSB3-20/S, GSB3-40/S, and GSB3-60/S are designed for mounting into an installation box.

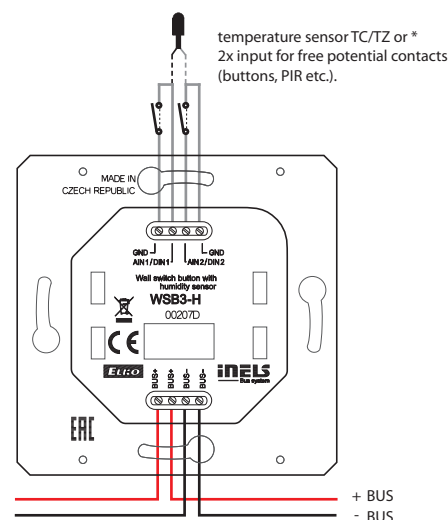


EAN code
 WSB3-40: 8595188132336
 WSB3-40H: 8595188133043

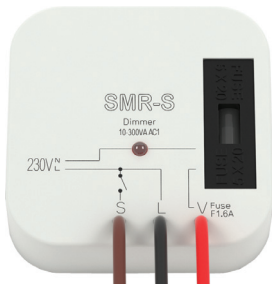
Technical parameters	WSB3-40	WSB3-40H
Inputs		
Temperature measuring:	YES, built-in temperature sensor	
Scope and accuracy of temp. measuring:	0 to +55°C; 0.3°C from the range	
Number of control buttons:	4	
Humidity measurement:	NO	YES
Humidity measurement range:	-	0 to 99% Relative humidity
Humidity measurement accuracy:	-	± 3 % Relative humidity
Inputs:	2x AIN/DIN	
External temperature sensor:	YES, the connection between AIN1/DIN1 and AIN2/DIN2	
Type of external sensor:	TC/TZ	
Temp. measurement range:	-20 °C to +120 °C	
Temp. measurement accuracy:	0.5 °C from range	
Outputs		
Indication:	two-colored LED (red, green)	
Number of LEDs:	2	
Communication		
Installation BUS:	BUS	
Power supply		
Supply voltage/tolerance:	27 V DC, -20/+10 %	
Dissipated power:	max. 0.5 W	
Rated current:	25 mA (at 27 V DC), from BUS	
Connection		
Terminals:	0.5 - 1 mm ²	
Operating conditions		
Operating temperature:	-20 to +55 °C	
Storing temperature:	-30 to +70 °C	
Protection degree:	IP20	
Overvoltage category:	II.	
Pollution degree:	2	
Operation position:	any	
Installation:	into installation box	
Dimensions and weight		
Dimensions		
- plastic:	85.6 x 85.6 x 42 mm	
- metal, glass, wood, granite:	94 x 94 x 36 mm	
Weight:	55 g (without frame)	

- Wall mounted controllers with upstroke control WSB3-40 and WSB3-40H are the basic and most popular feature (control) of the iNELS system.
- Built-in micro-switch with low upstroke offers elegant and pleasant control.
- Controllers WSB3-40 and WSB3-40H are supplied with four channels.
- Two-coloured indication LEDs located in each controller, can signal the status of controlled appliances or the status of any sensor or actuator in the system.
- Wall buttons in WSB3 series are compatible with both types of frames LOGUS⁹⁰ (85.6x85.6 or 94x94 mm), therefore you can combine them with double and triple frames and classic products of the series.
- Each controller is equipped with a temperature sensor. It is also equipped with two analog/digital inputs (AIN/DIN), which can be used to connect two potentialless contacts or one external temperature sensor TC/TZ (e.g. for measuring floor temperature).
- Compared to standard wall buttons WSB3-20 and WSB3-20H are more flexible and multifunctional. You can for example controll appliances by short and long push of the button (e.g.: dimming, shutter control, scenes).
- Each button can control any appliance in the system and can use a variety of centralized or time controlled features. Accordingly, the customer can choose the simplicity/complexity of the operation. The big advantage is the possibility to change the method of control by only making software modifications without physical interventions into the structure of the building.
- Each button (fold) can have different functional modes beside lighting control:
 - a) Classic wall-switch:
 - upper button ON, bottom button OFF
 - b) Button controller (impulse relay):
 - first press ON, second press OFF
 - c) Dimmer:
 - short press – ON/OFF
 - d) Time switch:
 - ON after press, automatically OFF after set time
 - e) Setting light scenes – for example: for watching TV:
 - shutters down
 - main light 30% intensity
 - wall-lamps 50% intensity
- WSB3 in LOGUS⁹⁰ design is designed for mounting into an installation box.

Connection



* The choice is made in iDM3 for each unit separately.



EAN code
 SMR-S /230 V: 8595188123518
 SMR-U /230 V: 8595188130738

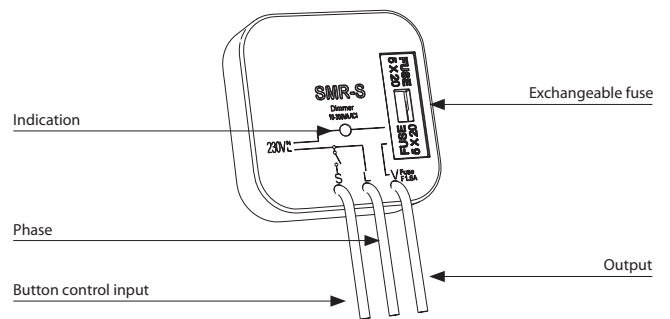
Technical parameters	SMR-S	SMR-U
Connection:	3-wire con., without neutral	4-wire con., with neutral
Voltage range:	230 V AC / 50 Hz	
Burden (unloaded):	max. 0.66 VA / 0.55 W	
Max. dissipated power:	3 W	
Supply voltage tolerance:	-15 %; +10 %	
Output		
Resistive load:	10 - 300 VA	500 VA*
Inductive load:	10 - 150 VA	500 VA*
Capacitive load:	x	500 VA*
Control		
Control voltage:	AC 230 V	
Current:	max. 3 mA	
Impulse lenght:	min. 50 ms / max. unlimited	
Glow tubes connection:	Yes	
Max. amount of glow lamps connected to controlling input:	230 V - max. amount 10 pcs (measured with glow lamp 0.68 mA / 230 V AC)	
Other information		
Operating temperature:	0 °C to +50 °C (32 °F to 122 °F)	
Operating position:	any	
Mounting:	free at connecting wires	
Protection degree:	IP30 in standard conditions**	
Overvoltage category:	III.	
Pollution degree:	2	
Fuse:	F 1.6 A / 250 V	x
Connection wires:	solid wires 0.75 mm ² (AWG 18) / 90 mm (3.5")	
Glow lamps in a button:	max. number 10	
Dimensions:	49 x 49 x 13 mm (1.9" x 1.9" x 0.5")	
Weight:	30 g (1.06 oz.)	32 g (1.13 oz.)
Standards:	EN 61010-1, EN 60669-2-1	

* with load over 300 VA is necessary to ensure sufficient cooling.

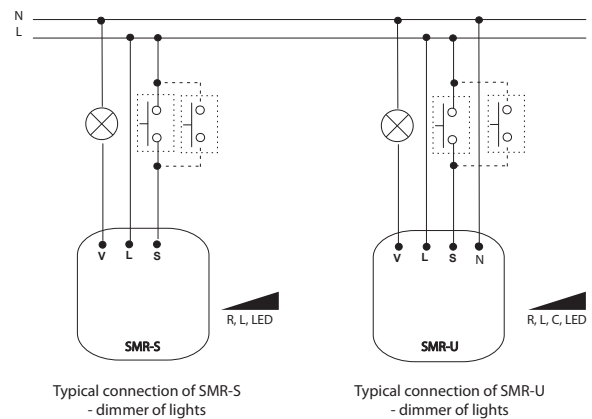
** for more information see page 41

- Button-controlled dimmers designed for flush mounting into a wiring box.
 - Possible to control from more places (parallel connections).
 - Protection against temperature overrun inside the device.
 - **SMR-S:**
 - Designated for dimming el. bulbs, halogen lights and halogen lights with winding transformers and Dimmable LED¹.
 - 3-wire connection, functional without neutral
 - max. load: 300 VA (el. bulbs or halogen lights with wound transformer)
 - contactless output -1x triac
 - with exchangeable fuse.
 - **SMR-U:**
 - Designed for dimming of incandescent bulbs and halogen lights with wound or electronic transformer and Dimmable LED².
 - 4-wire connection
 - max. load: 500 VA (el. bulbs or halogen lights with electronic or wound transformer)
 - contactless output - 2x MOSFET
 - electronic over-heating protection - output off in case of short-circuit or overload.
- ^{1,2} For more information, see page 41

Description of SMR-S



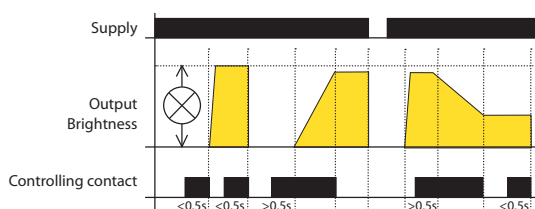
Connection



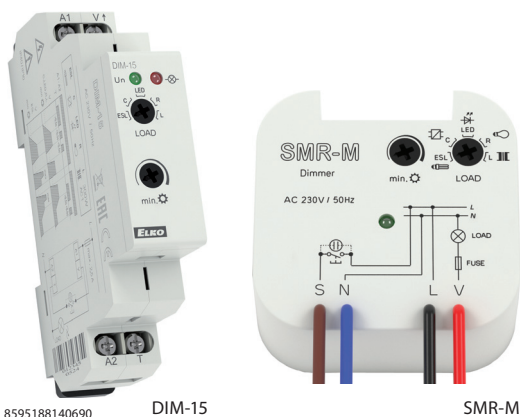
Warning: it cannot be used for fluorescent lights and energy saving lights!

SMR-U: It is not allowed to connect together loads of inductive and capacitive type in the same time.

Function



Short press (<0.5s) turns a light on, another short press turns it off. A longer press (>0.5s) causes a gradual regulation of light intensity min-max-min round until the button is released. After releasing a set intensity is kept in memory, further short presses turn the light on/off keeping the set intensity. The intensity can be changed by further long press. After de-energising the relay remembers the set value.



EAN code
DIM-15/230 V: 8595188140690
SMR-M: 8595188143776

DIM-15

SMR-M

Technical parameters	DIM-15	SMR-M
Supply terminals:	A1 - A2	x
Voltage range:	x	4-wire, with neutral
Operating range:	AC 230 V / 50 Hz	
Burden (unloaded):	max. 2 VA / 0.55 W	max. 0.66 VA / 0.55 W
Max. dissipated power:	2 W	3 W
Supply voltage tolerance:	-15 %; +10 %	
Supply indication:	green LED	
Control		
Control terminals:	A1 - T	x
Control wire:	x	L - S
Control voltage:	AC 230 V	
Control input power:	AC 0.3 - 0.6 VA	
Control impulse length:	min. 80 ms / max. unlimited	
Glow tubes connection:	Yes	
Max. amount of glow lamps connected to controlling input:	max. 15 pcs (measured with glow lamp 0.68 mA / 230 V AC)	max. 10 pcs (measured with glow lamp 0.68 mA / 230 V AC)
Output		
Contactless:	2 x MOSFET	
Load:	300 W (at $\cos \varphi = 1$)*	160 W (at $\cos \varphi = 1$)*
Output status indication:	red LED	x
Other information		
Operating temperature:	-20 °C to +35 °C (-4 °F to 95 °F)	
Storing temperature:	-20 °C to +60 °C (-4 °F to 140 °F)	
Operating position:	any	
Mounting:	DIN rail EN 60715	free at connecting wires
Protection degree:	IP40 from front panel / IP10 clips	IP 30 in standard conditions**
Overvoltage category:	III.	
Pollution level:	2	
Terminal wire capacity (mm ²):	max. 2x2.5, max. 1x 4 with sleeve	x
	max. 1x2.5, max. 2x1.5 (AWG 12)	
Connection wires (cross-section / length):	x	CY, 0.75 mm ² (AWG 18) / 90 mm (3.5")
Dimensions:	90 x 17.6 x 64 mm	49 x 49 x 21 mm
Weight:	58 g (2 oz.)	33 g (1.2 oz.)
Standards:	EN 60669-2-1, EN 61010-1	

* Due to a large number of light source types, the maximum load depends on the internal construction of dimmable light sources and their power factor $\cos \varphi$. The power factor of dimmable LEDs and ESL bulbs ranges from $\cos \varphi = 0.95$ to 0.4. An approximate value of maximum load may be obtained by multiplying the load capacity of the dimmer by the power factor of the connected light source.

** For more information see page 41.

Warning: it is not allowed to connect inductive and capacitive loads at the same time.

- Designed for dimming of incandescent bulbs and halogen lights with wound or electronic transformer, dimmable light bulbs and dimmable LED².
- Enables gradual setting of luminance by push-button (non-detent) or parallel buttons.
- Returns to last state upon re-energization.
- Type of light source is set by switch-over on the front panel of device.
- Min. luminance, set by potentiometer on the front panel, eliminates flashing of light sources.

DIM-15

- Output status is indicated by red LED:
 - shines when output is active.
 - flashes while heating overload, at the same time output is disconnected.
- 1-MODULE version, DIN rail mounting, saddle terminals.

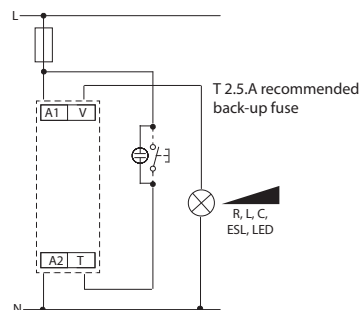
SMR-M

- Button-controlled dimmer intended to be installed in an installation box into the existing electrical wiring.
- Protection against excessive temperature inside the device - switches off the output.

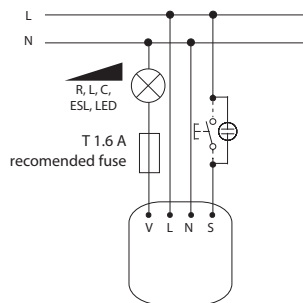
² For more information, see page 41

Connection

DIM-15

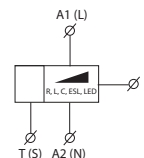


SMR-M

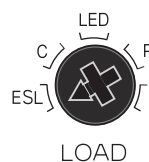


Symbol

DIM-15 (SMR-M)



Light source type setting



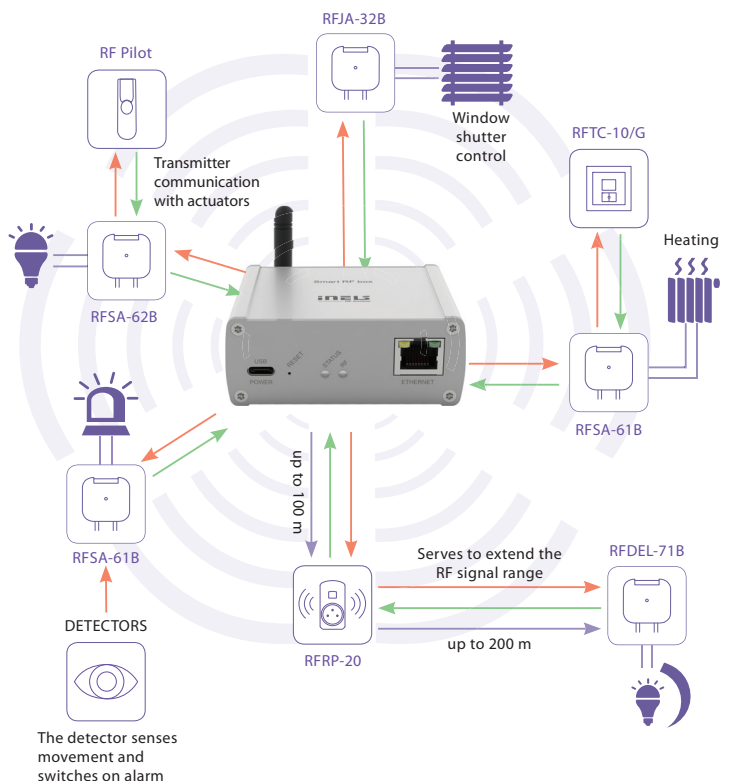
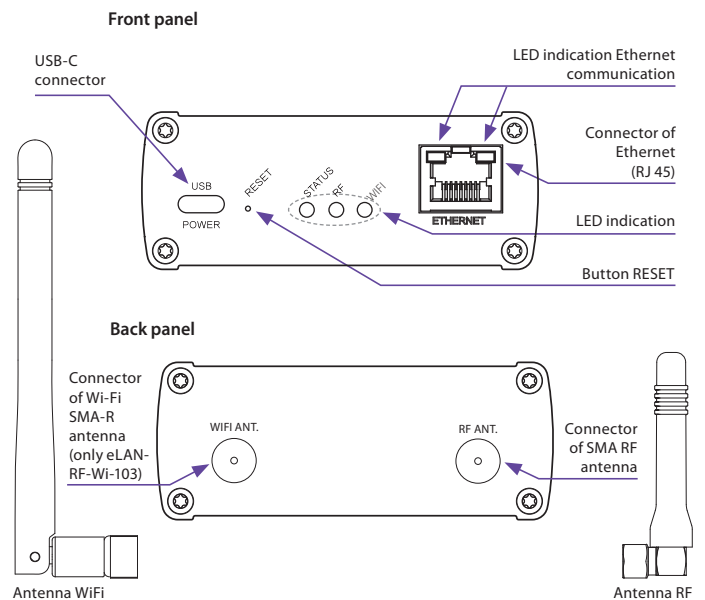


Technical parameters	eLAN-RF-103	eLAN-RF-Wi-103
Interface RF Control		
Communication protocol:	RFIO, RFIO2	
Broadcasting frequency:	866–922 MHz (for more information see p. 76)	
Signal transfer method:	two-way addressed message	
Output for antenna:	SMA connector*	
Antenna RF:	AN-I 1 dB	
Indications RF communications:	1x green RF LED	
Range:	in open space up to 100 m	
Interface Ethernet		
ETH operating status indicator:	green LED	
ETH communication indicator:	yellow LED	
Communications interface:	100 Mbps (RJ45)	
Preset IP address:	DHCP	
Interface Wi-Fi		
Standard:	x	IEEE 802.11 b/g/n/2.4 GHz
Wi-Fi Security:	x	WEP, WPA-PSK, WPA2-PSK
Frequency range Wi-Fi:	x	R-SMA connector*
Antenna Wi-Fi:	x	WiFi 2.4 GHz 1 dB
Indications Wi-Fi communication:	x	1x green LED Wi-Fi
Range:	x	up to 20 m
Wi-Fi network mode:	x	SOFT-AP/Client
Power supply		
Supply voltage / current:	5V DC/0.5A	5V DC/1A
Power source:	110 - 230 V AC/5 V DC - 2A (connector USB-C)	
Button RESET		
- short press:	restart the device	
- press > 5s:	reset network settings	
- press > 10s:	reset to factory settings	
Indication LED STATUS		
- green:	normal mode	
- red:	error condition	
- orange:	initialization/start	
Other data		
Operating temperature:	-20 to +50 °C	
Storage temperature:	-25 to +70 °C	
Protection:	IP20	
Contamination degree:	2	
Working position:	any	
Dimensions:	90 x 52 x 65 mm	
Weight:	136 g	146 g

* Max Tightening Torque for antenna connector is 0.56 Nm.

- The Smart RF Box is a gateway between iNELS RF elements and applications for smartphones, tablets, watches, televisions, voice assistants (Google Home & Alexa) and other third-party devices.
- It is produced in two versions:
 - a) eLAN-RF-103: LAN communication
 - b) eLAN-RF-Wi-103: LAN communication with WiFi in AP (Access Point) mode with direct connection of the smartphone to eLAN-RF-Wi-103 or in Client mode (connection to the home WiFi network by connecting the smartphone via home wireless router).
- It communicates from up to 70 iNELS RF elements, processes set programs for automatic control.
- Thanks to two-way communication, it displays the current status of individual elements.
- Powered by 5 V DC/2A adapter, USB-C connector (included).
- Configuration is done via the iHC application.
- The package includes an internal antenna AN-I, in case the Smart RF box is located in a metal switchboard, you can use the external antenna AN-E for better signal reception, see accessories on page 75. For the eLAN-RF-Wi-103 version, a WiFi antenna is included in the package.

Device description



— Command to execute function
 — Function execution feedback

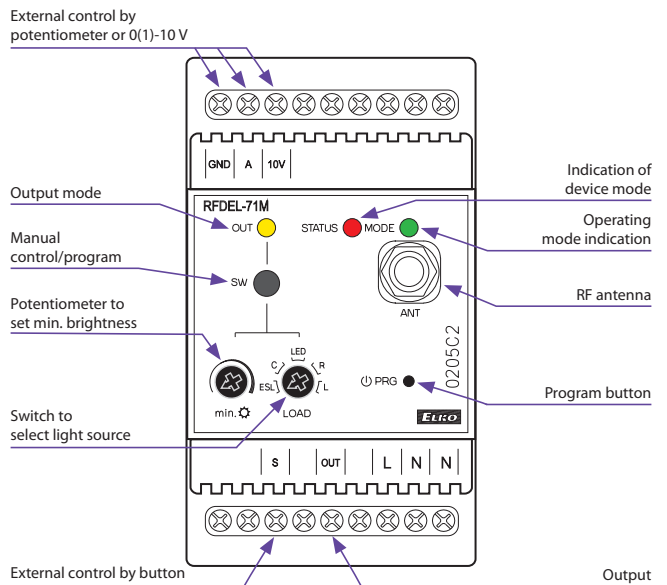


- The universal modular dimmer is used to regulate light sources:
 - R – classic lamps (resistive load)
 - L – halogen lamps with wound transformer (inductive load)
 - C – halogen lamps with electronic transformer (capacity load)
 - ESL – dimmable energy-efficient fluorescent lamps
 - LED – LED light sources equipped with LED.
- Control can be performed by:
 - a) detectors, Controllers and System units iNELS RF Control
 - b) by control signal 0(1)-10 V
 - c) potentiometer
 - d) existing button in the installation.
- 6 light functions - smooth increase or decrease with time setting 2 s -30 min. Function description can be found on page 75.
- Thanks to setting the min. brightness by potentiometer, you will eliminate flashing of the LED and ESL light sources.
- The universal dimmer may be controlled by up to 32 channels.
- The programming button on the controller is also used for manual control of the output.
- The package includes an internal antenna AN-I, in case of locating the unit in a metal switchboard, you can use the external antenna AN-E for better signal reception, see accessories on page 69.
- Memory status can be pre-set in the event of a power failure.
- Range up to 160 m (in open space), if the signal is insufficient between the controller and unit, use the signal repeater RFRP-20 or protocol component RFIO2 that support this feature.
- Communication frequency with bidirectional protocol RFIO2.
- The unit's three-module design with switchboard mounting.

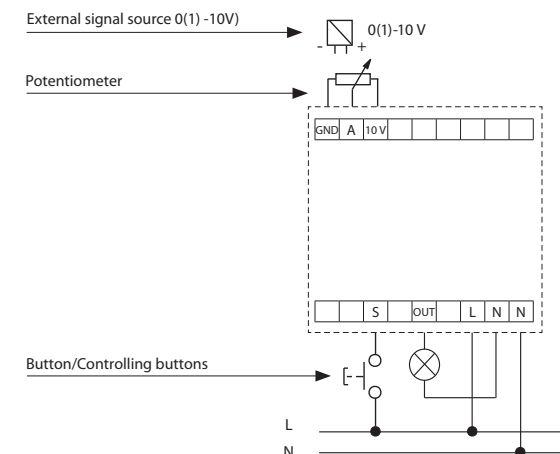
Technical parameters	RFDEL-71M/230V	RFDEL-71M/120V
Supply voltage:	230 V AC	120 V AC
Supply voltage frequency:	50 Hz	60 Hz
Apparent power:	2.5 VA	1.1 VA
Dissipated power:	0.8 W	0.6 W
Supply voltage tolerance:	+10/-15 %	
Output		
Dimmed load:	R,L,C, LED, ESL	
Contactless:	2 x MOSFET	
Load capacity:*	max. 600 W	max. 300 W*
Control		
Wireless:	up to 32 channels (buttons)	
Communication protocol:	RFIO2	
Frequency:	866–922 MHz (for more information see p. 76)	
Repeater function:	yes	
Range:	in open space up to 160 m	
Manual control:	SW (ON/OFF) button	
External button:	max. 50 m cable	
Glow lamps connection:	no	
Analog control:	potentiometer or 0 (1) - 10 V	
RF Antenna:	AN-I included (SMA connector**)	
Other data		
Operating temperature:	-20 to + 35 °C	
Storage temperature:	-30 to +70°C	
Operating position:	vertical	
Mounting:	DIN rail EN 60715	
Protection:	IP20 under normal conditions	
Overvoltage category:	II.	
Contamination degree:	2	
Cross-section of connecting wires:	max. 1x 2.5, max. 2x 1.5/with a hollow max. 1x 2.5	
Dimensions:	90 x 52 x 65 mm	
Weight:	125 g	
Related standards:	EN 607 30-1 ed.2	

* See page 75 for the load chart for each light source.
 ** Max. Tightening Torque for antenna connector is 0.56 Nm.

Device description



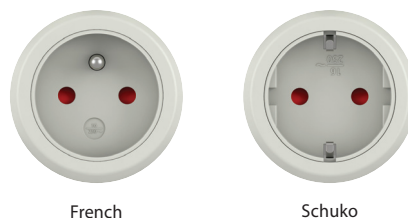
Connection and external control options





- Switching socket in IP65 design is intended for installation in the outdoor environment.
- They can be combined with detectors, controllers, iNELS RF Control or system components.
- The switched socket may be controlled by up to 25 channels.
- 6 function: button, impulse relay and time function of delayed start or return with time setting range of 2 s - 60 min. Function description can be found on page 74.
- The programming button on the socket is also used for manual control of the output.
- Memory status can be pre-set in the event of a power failure.

Produced in 2 designs:



Technical parameters

RFOSC-61

Supply voltage:	230 - 250 V AC
Supply voltage frequency:	50-60 Hz
Apparent power:	6 VA
Dissipated power:	0.7 W
Supply voltage tolerance:	+10 %; -15 %

Output

Number of contacts:	1x switching
Rated current:	10 A
Switching power:	2500 VA/300 W
Switching voltage:	250 V AC1/30 V DC
Contact material:	AgSnO ₂
Mechanical service life:	1x 10 ⁷
Electrical service life (AC1):	1x 10 ⁵

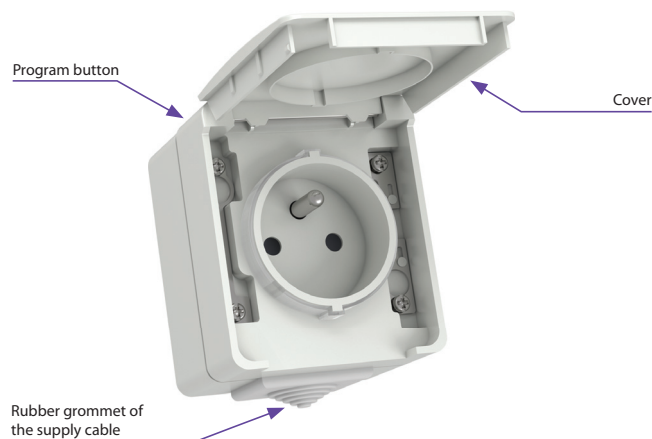
Control

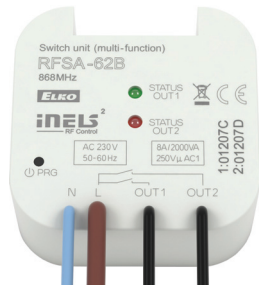
Wireless:	up to 25 channels (buttons)
Communication protocol:	RFIO2
Frequency:	866-922 MHz (for more information see p. 76)
Repeater function:	no
Manual control:	button PROG (ON/OFF)
Range:	in open space up to 200 m

Other data

Operating temperature:	-15 to + 50 °C
Upevnění:	screws
Colour design:	whitw (RAL 9003)
Cross-section of connecting wires (mm ²):	max. 1x 2.5, max. 2x 1.5/ with a hollow max. 1x 2.5
Recommended power cord:	CYKY 3x 1.5 mm ²
Protection:	IP65
Overvoltage category:	III.
Contamination degree:	2
Dimensions:	64 x 74 x 53 mm
Weight:	185 g
Related standards:	EN 60669, EN 300 220, EN 301 489 R&TTE Directive, Order. No 426/2000 Coll. (Directive 1999/EC)

Device description

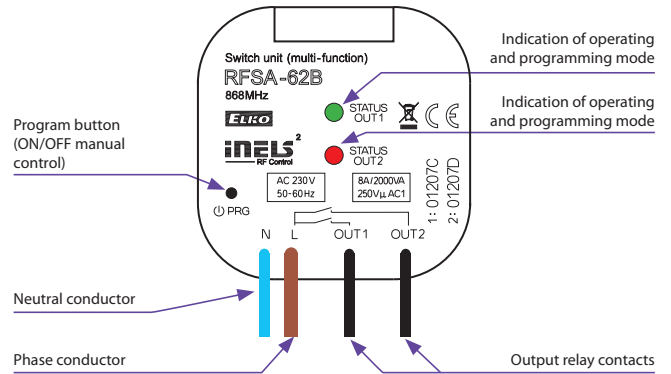




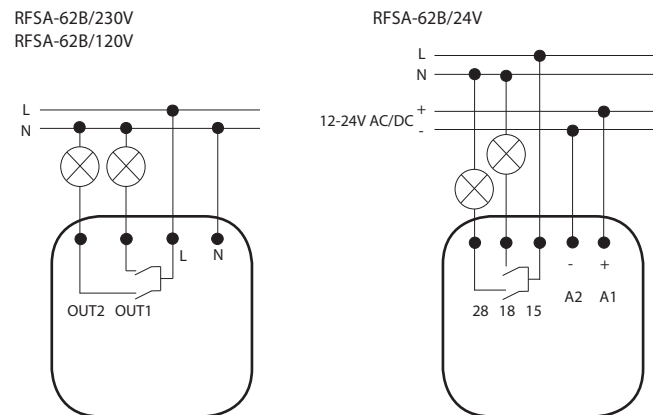
Technical parameters	RFSA-62B/230V	RFSA-62B/120V	RFSA-62B/24V
Supply voltage:	230 V AC	120 V AC	12-24 V AC/DC
Supply voltage frequency:	50-60 Hz	60Hz	50-60Hz
Apparent input:	7 VA/cos φ = 0.1	7 VA/cos φ = 0.1	-
Dissipated power:	0.7 W	0.7 W	0.7 W
Supply voltage tolerance:	+10 %; -15 %		
Output			
Number of contacts:	2 x switching (AgSnO ₂)		
Rated current:	8 A / AC1		
Switching power:	2000 VA/AC1		
Peak current:	10 A/<3 s		
Switching voltage:	250 V AC1		
Max. DC switching power:	500 mW		
Mechanical service life:	1x10 ⁷		
Electrical service life (AC1):	1x10 ⁵		
Control			
Wireless:	each of the outputs up to 12 channels (buttons)		
Communication protocol:	RFIO2		
Frequency:	866–922 MHz (for more information see p. 76)		
Repeater function:	yes		
Manual control:	button PROG (ON/OFF)		
Range:	in open space up to 100 m		
Other data			
Operating temperature:	-15 to + 50 °C		
Operating position:	any		
Mounting:	free at lead-in wires		
Protection:	IP30		
Overvoltage category:	III.		
Contamination degree:	2		
Terminals (CY wire, cross-section):	1x 2.5 mm ² , 3x 0.75 mm ²	1x2.5, 4x0.75mm ²	
Length of terminals:	90 mm		
Dimensions:	49 x 49 x 21 mm		
Weight:	46 g		
Related standards:	EN 60669, EN 300 220, EN 301 489 R&TTE Directive, Order. No 426/2000 Coll. (Directive 1999/EC)		

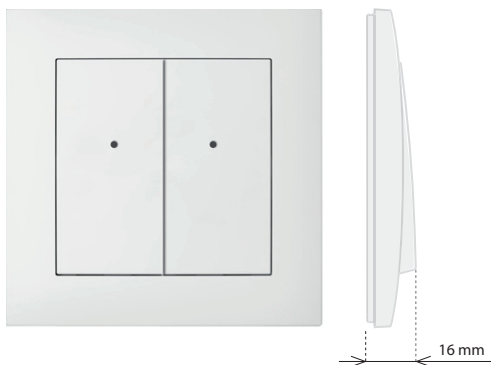
- The switching unit with 2 output channels 8A used to control two independent appliances.
- They can be combined with detectors, controllers, iNELS RF Control or system components.
- Function: button, impulse relay and time function of delayed start and return with time setting range of 2 s - 60 min. Function description can be found on page 74.
- Each of the channels may be controlled by up to 12 channels.
- The programming button on the unit is also used for manual control of the output.
- Memory status can be pre-set in the event of a power failure.
- Range up to 100 m (in open space), if the signal is insufficient between the controller and unit, use the signal repeater RFRP-20 or protocol component RFIO2 that support this feature.
- Communication frequency with bidirectional protocol RFIO2.
- The BOX design lets you mount it right in an installation box, a ceiling or controlled appliance cover.

Device description



Connection





- On-wall button controller is used to control switches and dimmers (lights, gate, garage door, blinds, etc.).
- **RFWB-20/G**: two buttons enable control of two units independently.
- **RFWB-40/G**: four buttons enable control of four units independently.
- The flat design with level base makes it ideal for fast installation on any surface (fixation with adhesive or screws in the installation box).
- When pressing the button, it sends a set signal (ON/OFF, dimming, time switching OFF/ON, blinds up/down).
- Sending a command is indicated by a red LED.
- In LOGUS⁹⁰ switch frame design (plastic, glass, wood, metal, stone).
- Option of setting light scenes, where with a single press, you can control units of iNELS RF Control.
- Battery power supply (3 V CR 2032 battery - included in the supply) with battery life of around 5 years based on frequency of use.
- Range up to 200 m (in open space), if the signal is insufficient between the controller and unit, use the signal repeater RFRP-20 or protocol component RFIO2 that support this feature.
- Communication frequency with bidirectional protocol RFIO.

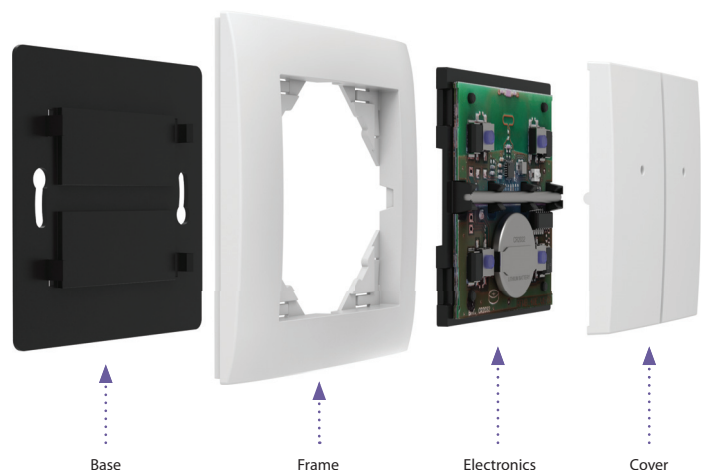
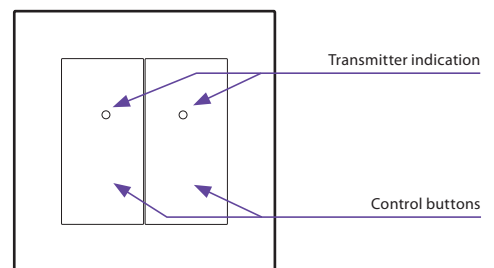
Technical parameters	RFWB-20/G	RFWB-40/G
Supply voltage:	3 V CR 2032 battery	
Battery life:	around 5 years based on frequency of use	
Transmission indication:	red LED	
Number of buttons:	2	4
Communication protocol:	RFIO	
Frequency:	866–922 MHz (for more information see p. 76)	
Signal transmission method:	unidirectionally addressed message	
Range:	in open space up to 200 m	
Other data		
Operating temperature:	-10 to +50 °C	
Operating position:	any	
Mounting:	glue/screws	
Protection:	IP20	
Contamination degree:	2	
Dimensions frame		
- plastic:	85 x 85 x 16 mm	
- metal, glass, wood, granite:	94 x 94 x 16 mm	
Weight (plastic):*	38 g	39 g
Related standards:	EN 60669, EN 300 220, EN 301 489 R&TTE Directive, Order. No 426/2000 Coll. (Directive 1999/EC)	

* Comes with plastic frame. No installation into multi-frames.

RFWB-40/G



Device description



LOGUS⁹⁰

Choose your own style

Flat wireless switches that can be mounted on glass, tile, furniture ...
Such a quick change of location when you're moving.

