



EAN code  
 CU3-01M: 8595188132220  
 CU3-02M: 8595188132398

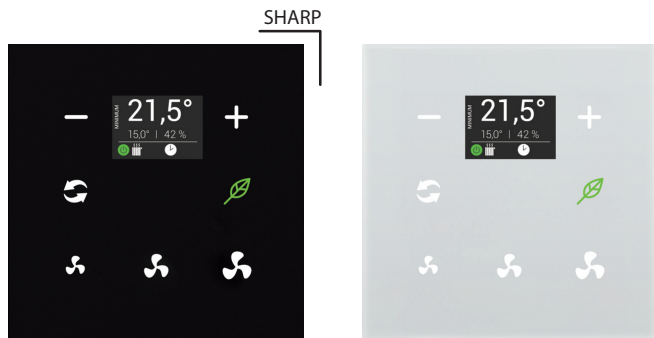
Technical parameters	CU3-01M	CU3-02M
<b>LED Indication</b>		
Green LED RUN:	Flashing - communication with BUS, ON - no communication	
Red LED ERR:	Flashing - no project, ON - unit STOP	
<b>OLED display</b> displays the current status and settings		
Type:	color OLED	
Resolution:	128x128/1:1 aspect ratio	
Visible area:	26x26 mm	
Controlling:	using arrows	
The internal real-time clock:	accuracy: 1s/day at 23 °C	
<b>Inputs</b>		
Inputs:	4x NO or NC to GND (-) 2x analogue inputs 0÷30	
<b>Outputs</b>		
Output:	relay output- NO/GND	
Number of connected units (directly to the CU3-01M (02M):	max. 64 (2x32)	
Expansion possibilities external BUS master:	up to 576 units (CU3-01M (02M) and 8x MI3-02M)	
<b>Communication</b>		
<b>BUS</b>		
Maximum number of units:	max. 32 units to one BUS line	
Maximum cable length:	max. 500 m (depends on power loss)	
<b>System BUS EBM</b>		
Maximum cable length:	max. 500 m	
Number of connected ext. masters:	up to 8 (regards to increasing the cycle turns)	
<b>Ethernet</b>		
Connector:	RJ45 on the front panel	
Communication speed:	100 Mbps	
Indication of the Ethernet:	green - Ethernet communication yellow - Ethernet speed 100 Mbps	
The default IP address:	192.168.1.1 (the IP address can be changed in the menu using the display and buttons)	
<b>Power supply</b>		
Supply voltage/tolerance:	27 V DC, -20/+10 %	
Dissipated power:	max. 3 W	
Rated current:	110 mA (at 27 V DC)	
<b>Operating conditions</b>		
Working temperature:	-20 to +55 °C	
Storage temperature:	-25 to +70 °C	
Humidity:	max. 80%	
Degree of protection:	IP20 devices, IP40 with cover in the switchboard	
Overvoltage category:	II.	
Degree of pollution:	2	
Operating position:	any	
Installation:	to the switching board on the EN60715 DIN rail	
Design:	6-MODULE	
Terminal:	max. 2.5 mm <sup>2</sup>	
<b>Dimensions and weight</b>		
Dimensions:	90 x 105 x 65 mm	
Weights:	288 g	291 g

- CU3-01M and CU3-02M are central units' of the iNELS system and mediators, between user software interface and controllers, units and actuators connected to the BUS.
- It's possible to directly connect up to 2 lines of BUSes in to CU3-01M and CU3-02M, and on each BUS we can connect up to 32 iNELS3 units.
- The main difference between CU3-02M and CU3-01M is that CU3-02M is moreover equipped by RF module which enables communication with selected units from iNELS RF Control system.
- User's project and retentive data are stored in a non-volatile internal memory hereby data are backed up without the supply voltage. Real time clock (RTC) backup for 10 days.
- Power supply controlling system - network voltage and the status of the backup battery.
- Possibility of setting time synchronization via NTP server.
- The RJ45 Ethernet port's connector is located on the front panel of the unit, the transmission speed is 100 Mbps.
- For CU3-01M (02M) it is possible to use 4 potential-free inputs for connecting external controllers (buttons, switches, sensors, detectors, etc.) and 2 analog inputs 0 - 30 V.
- CU3-01M (02M) comes with OLED display that shows the current status and enables settings (network settings, date, time, service) of the central unit CU3-01M (02M).
- Movement in the menu CU3-01M (02M) using arrows on the front panel.
- CU3-01M (02M) in 6-MODULE are designed for mounting into a switchboard on the EN60715 DIN rail.

#### iNELS RF Control interface for CU3-02M

Communication protocol:	RF Touch Compatible
Transmitting frequency:	866 MHz/868 MHz/916 MHz
Signal transmission methods:	bidirectionally addressed message
Output for RF antenna:	SMA connector*
RF antenna:	1 dB (part of package)
Free space range:	up to 100 m

\* Max Tightening Torque for antenna connector is 0.56 Nm.



EAN code  
 GRT3-50/B: 8595188156301  
 GRT3-50/W: 8595188156349

The picture of device is illustrative, the icons (symbols) are configurable by the customer.

## Technical parameters GRT3-50

### Inputs

Temperature measuring:	YES, built-in temperature sensor
Scope and accuracy of temp. measurement:	0 to +55°C; 0.3°C from the range
Humidity measurement:	YES
Humidity measurement range:	0 to 99% RH
Humidity measurement accuracy:	± 3 % Relative humidity
Inputs:	2x AIN/DIN
Resolution:	by setting 10-bit
External temperature sensor:	YES, the connection between AIN1/DIN1 and AIN2/DIN2
Type of external sensor:	TC/TZ
Temperature measurement range:	-20°C to +120°C
Temperature measurement accuracy:	0.5°C from the range

### Buttons

Number of control buttons:	5
Type:	Capacitive
Indication:	Coloured illuminated symbol

### Display

Display:	colored TFT, 20 x 25.5 mm
Resolution:	240 x 240 pixels

### Outputs

Acoustic output:	piezo-changer
Tactile output:	Vibration motor

### Communication

Installation BUS:	BUS
-------------------	-----

### Power supply

Supply voltage/tolerance:	27 V DC, -20/+10 %
Dissipated power:	max. 0.5 W
Rated current:	85 mA (at 27 V DC), from BUS

### Connection

Terminals:	0.5 - 1 mm <sup>2</sup>
------------	-------------------------

### Operating conditions

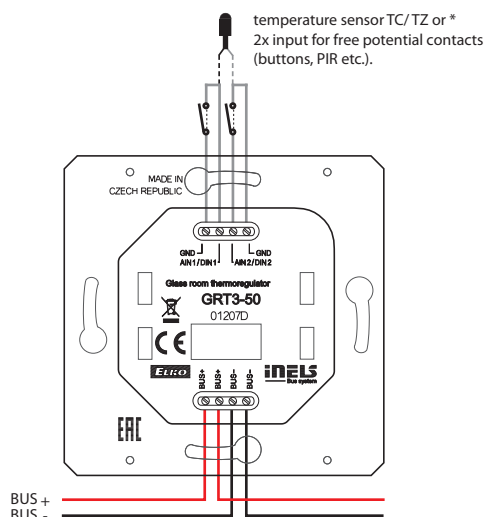
Relative humidity:	max. 80 %
Operating temperature:	-20 to +55 °C
Storing temperature:	-30 to +70 °C
Protection degree:	IP20
Overvoltage category:	II.
Pollution degree:	2
Operation position:	any
Installation:	on the wall, observing the conditions for correct installation of the thermostat

### Dimensions and weight

Dimensions:	94 x 94 x 36 mm
Weight:	156 g

- Glass room thermo-regulator GRT3-50 is part of a comprehensive range of glass iNELS control units for guest room management system (GRMS) and serves to regulate the temperature in the room.
- GRT3-50 thermo-regulator has a display for displaying the current room temperature and desired temperature. To adjust the required temperature, it is possible to use the touch buttons with symbols "-" and "+".
- GRT3-50 is also suitable for controlling fan coils and fan speed can be easily adjusted by using the touch buttons with symbols.
- Thermo-regulator GRT3-50 also has a further two touch buttons whose function can be adjusted by software, for example fan coil on/off, heating/cooling or comfort temperature for heating or cooling.
- Thermo-regulator is equipped with an integrated temperature sensor for ambient temperature measurement.
- The glass room thermo-regulator is a design component of the iNELS system and is available in elegant black (GRT3-50/B) and white (GRT3-50/W) version.
- Printing is possible to customize to the investor requirements.
- Individual symbols can be illuminated in one of seven colours - red, green, blue, yellow, pink, turquoise and white.
- GRT3-50 are designed for mounting into an installation box.

## Connection



\* The choice is made in iDM3 for each unit separately.



EAN code  
DMD3-1: 8595188157513

Technical parameters		DMD3-1
<b>Inputs</b>		
Angle of motion detection:		140°, 4 m
Recommended installation height:		2.5 - 3 m
Changing the PIR sensitivity:		Yes, 0 to 127 (max. sensitivity)
PIR scan type:		single/dual
Default setup PIR:		99 dual
Temperature measuring:		YES, built-in temperature sensor
Scope and accuracy of temp. measurement:		-25 to +110 °C; ± 0.3 °C
Humidity measurement:		YES
Humidity meas. range:		0 to 99% RH
Humidity meas. accuracy:		± 4 % RH
Light Metering:		YES
Detection angle:		± 55 °
Measuring range:		1 - 100 000 lx
Number of control buttons:		1
<b>Outputs</b>		
Indication red LED:		identification DALI MASTER/communication options
Indicating blue LED:		PIR Activation
Indication green LED RUN:		communications/unit status
<b>Communication</b>		
Interface:		Installation BUS iNELS DALI
<b>Power supply</b>		
From iNELS BUS:		27 V DC, -20/+10 %
Rated current:		18 mA
From DALI BUS:		16 V (max. 23 V)
Rated current:		27 mA
Dissipated power:		max. 0.5 W
<b>Connection</b>		
Terminals:		0.3 - 0.8 mm <sup>2</sup>
<b>Operating conditions</b>		
Operating temperature:		-20 to +55 °C
Storing temperature:		-30 to +70 °C
Protection degree:		IP20
Operation position:		vertical
Installation:		ceiling
<b>Dimension and weight</b>		
Dimension:		Ø 76 x 73 mm
- installation hole diameter:		60 mm
- diameter visible:		76 mm
Weight:		81 g

For proper function of the detector it is necessary to eliminate all interference from heat or light sources in the sensing area.

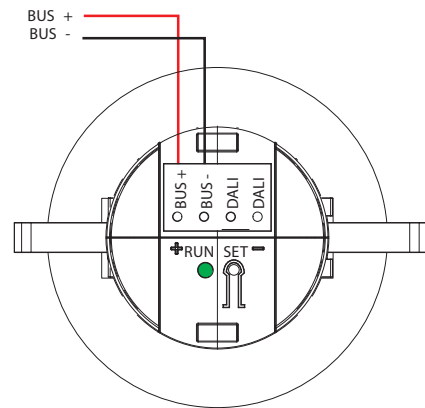
The detector cannot be installed on an unstable or vibrating surface.

Lower mounting height will reduce the overall size of the detection zone.

The distance from the unit and the colour of the illuminated area affects the resulting value of the measured illumination by the DMD3-1 unit.

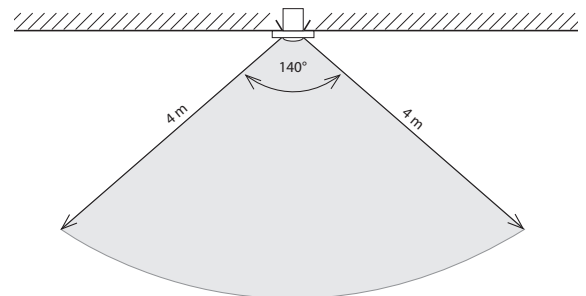
- DMD3-1 is a combined detector for ceiling mounting.
- Possibilities to use the DMD3-1:
  - motion detector
  - sensor luminescence
  - temperature measuring
  - humidity measurement
- The unit is equipped with two communication interfaces:
  - installation iNELS BUS
  - DALI (a maximum 4 pcs of DMD3-1 or DLS3-1 units can be used on one DALI bus).
- The motion detector is used to detect people moving in the area. Using the passive scanning infrared spectrum for detection.
- Integrated luminescence sensor can be used for sensing current luminescence at the point of installation of the unit. This information can be used in tasks to maintain a constant luminescence. In space where it is possible, thanks to the contribution of natural light from the outside to adjust the artificial light, which can reduce energy consumption.
- Setting the communication interface is done using the SET button.
- The unit can be configured via the iNELS3 Designer & Manager software, which, among other things it is possible to:
  - set the desired function depending on detected motion.
  - resolve jobs based on the value of luminescence.
  - enable/disable the alarm LED on the detector housing.
- DMD3-1 detector is designed for indoor installation and is not intended for outdoor use.
- DMD3-1 detector is powered directly via the iNELS BUS installation (nominal 27 V DC) or DALI BUS (nominal 16 V DC).

**Connection**

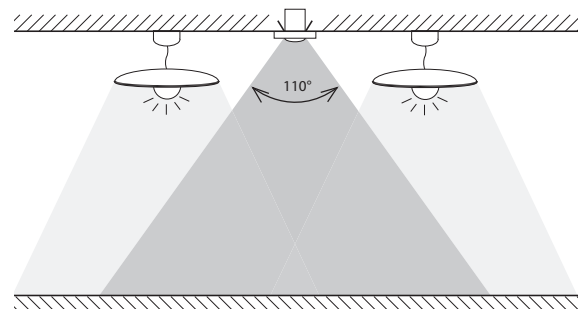


**Scanning range**

Motion detector



Light sensor





EAN code	
IDRT3-1 white:	8595188149488 (device, cover)
IDRT3-1 ivory:	8595188179614 (device, cover)
IDRT3-1 ice:	8595188179591 (device, cover)
IDRT3-1 pearl:	8595188179621 (device, cover)
IDRT3-1 aluminium:	8595188179584 (device, cover)
IDRT3-1 gray:	8595188179607 (device, cover)

## Technical parameters IDRT3-1

### Inputs

Temperature measuring:	YES, built-in thermo sensor
Range/accuracy of temp. measuring:	0 to +55°C; 0.3°C from range
Heating/cooling circuit correction:	±3, ±4 or ±5 °C
Manual ontrol of heating/cooling circuit:	2 x buttons
External temperature sensor:	YES, the connection between AIN1/DIN1 and AIN2/DIN2
Type of external sensor:	TC/TZ
Temperature measurement range:	-20°C to +120°C
Temperature measurement accuracy:	0.5°C from range

### Communication

Installation:	BUS
Display:	symbol display
Backlight:	YES

### Power supply

Supply voltage/tolerance:	27 V DC, -20/+10 %
Dissipated power:	max. 0.5 W
Rated current:	20 mA (at 27 V DC), from BUS

### Connection

Terminals:	0.5 - 1 mm <sup>2</sup>
------------	-------------------------

### Operating conditions

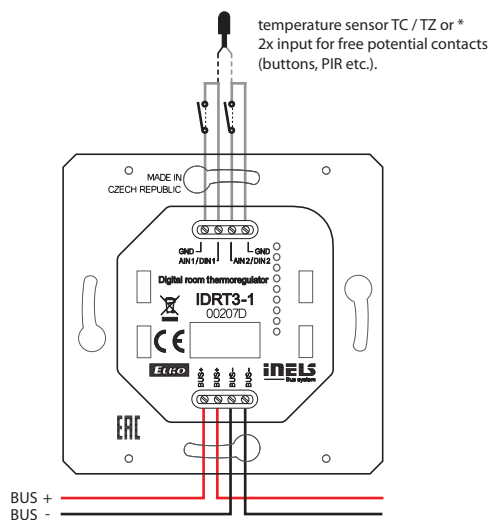
Operating temperature:	0 to +50 °C
Protection degree:	IP20
Overvoltage category:	II.
Pollution degree:	2
Operation position:	vertical, downward with BUS terminal
Installation:	into installation box

### Dimensions and weight

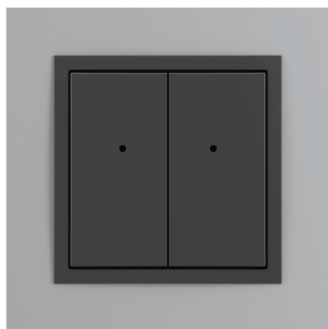
Dimensions	
- plastic:	85.6 x 85.6 x 50 mm
- metal, glass, wood, granite:	94 x 94 x 50 mm
Weight:	76 g (without frame)

- IDRT3-1 is a digital wall temperature controller used to regulate the temperature in a room.
- Using the IDRT3-1, it is possible to correct the given heating/cooling circuit within a range of ±3, ±4 or ±5 °C (optional in SW iDM3).
- The temperature controller is equipped with an integrated heat sensor used to measure the room temperature. It is also equipped with two analog digital inputs (AIN/DIN), which can be used to connect two potential free contacts or a single external temperature sensor TC/TZ (e.g. for measuring the floor temperature).
- The display shows the current temperature and after pressing one of two buttons under the display, you can control the desired temperature.
- Readability improves after pressing one of the buttons to activate the backlight.
- Heating/cooling circuit is assigned with a thermo-regulator using iDM3.
- In the case of temperature correction within ±3, ±4 or ±5 °C, this change is valid until the next time mark within the time schedule established in iDM3.
- IDRT3 -1 in design LOGUS<sup>90</sup> is intended for mounting into an installation box.

## Connection



\* The choice is made in iDM3 for each unit separately.

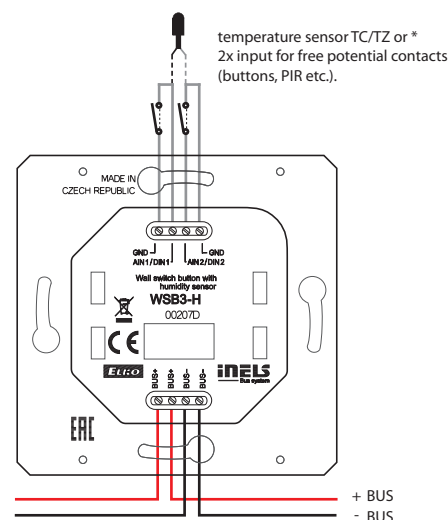


EAN code  
 WSB3-40: 8595188132336  
 WSB3-40H: 8595188133043

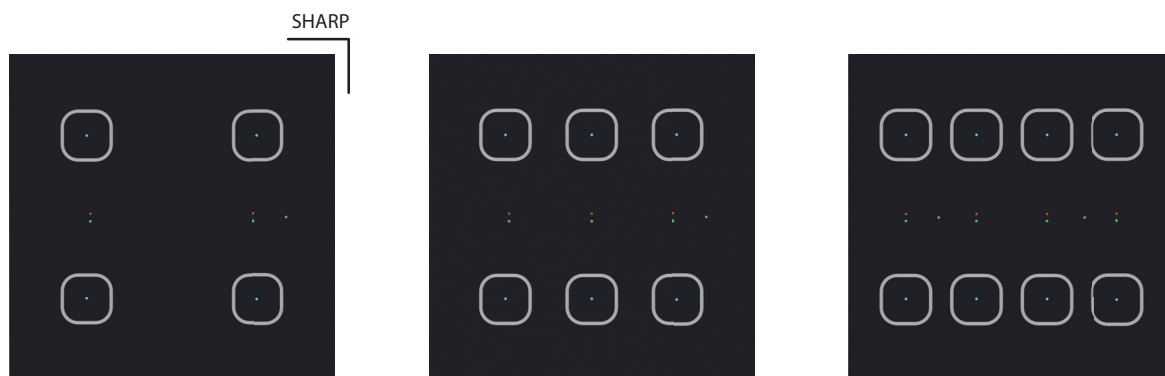
Technical parameters	WSB3-40	WSB3-40H
<b>Inputs</b>		
Temperature measuring:	YES, built-in temperature sensor	
Scope and accuracy of temp. measuring:	0 to +55°C; 0.3°C from the range	
Number of control buttons:	4	
Humidity measurement:	NO	YES
Humidity measurement range:	-	0 to 99% Relative humidity
Humidity measurement accuracy:	-	± 3 % Relative humidity
Inputs:	2x AIN/DIN	
External temperature sensor:	YES, the connection between AIN1/DIN1 and AIN2/DIN2	
Type of external sensor:	TC/TZ	
Temp. measurement range:	-20 °C to +120 °C	
Temp. measurement accuracy:	0.5 °C from range	
<b>Outputs</b>		
Indication:	two-colored LED (red, green)	
Number of LEDs:	2	
<b>Communication</b>		
Installation BUS:	BUS	
<b>Power supply</b>		
Supply voltage/tolerance:	27 V DC, -20/+10 %	
Dissipated power:	max. 0.5 W	
Rated current:	25 mA (at 27 V DC), from BUS	
<b>Connection</b>		
Terminals:	0.5 - 1 mm <sup>2</sup>	
<b>Operating conditions</b>		
Operating temperature:	-20 to +55 °C	
Storing temperature:	-30 to +70 °C	
Protection degree:	IP20	
Overvoltage category:	II.	
Pollution degree:	2	
Operation position:	any	
Installation:	into installation box	
<b>Dimensions and weight</b>		
Dimensions		
- plastic:	85.6 x 85.6 x 42 mm	
- metal, glass, wood, granite:	94 x 94 x 36 mm	
Weight:	55 g (without frame)	

- Wall mounted controllers with upstroke control WSB3-40 and WSB3-40H are the basic and most popular feature (control) of the iNELS system.
- Built-in micro-switch with low upstroke offers elegant and pleasant control.
- Controllers WSB3-40 and WSB3-40H are supplied with four channels.
- Two-coloured indication LEDs located in each controller, can signal the status of controlled appliances or the status of any sensor or actuator in the system.
- Wall buttons in WSB3 series are compatible with both types of frames LOGUS<sup>90</sup> (85.6x85.6 or 94x94 mm), therefore you can combine them with double and triple frames and classic products of the series.
- Each controller is equipped with a temperature sensor. It is also equipped with two analog/digital inputs (AIN/DIN), which can be used to connect two potentialless contacts or one external temperature sensor TC/TZ (e.g. for measuring floor temperature).
- Compared to standard wall buttons WSB3-20 and WSB3-20H are more flexible and multifunctional. You can for example controll appliances by short and long push of the button (e.g.: dimming, shutter control, scenes).
- Each button can control any appliance in the system and can use a variety of centralized or time controlled features. Accordingly, the customer can choose the simplicity/complexity of the operation. The big advantage is the possibility to change the method of control by only making software modifications without physical interventions into the structure of the building.
- Each button (fold) can have different functional modes beside lighting control:
  - a) Classic wall-switch:
    - upper button ON, bottom button OFF
  - b) Button controller (impulse relay):
    - first press ON, second press OFF
  - c) Dimmer:
    - short press – ON/OFF
  - d) Time switch:
    - ON after press, automatically OFF after set time
  - e) Setting light scenes – for example: for watching TV:
    - shutters down
    - main light 30% intensity
    - wall-lamps 50% intensity
- WSB3 in LOGUS<sup>90</sup> design is designed for mounting into an installation box.

Connection



\* The choice is made in iDM3 for each unit separately.



EAN code

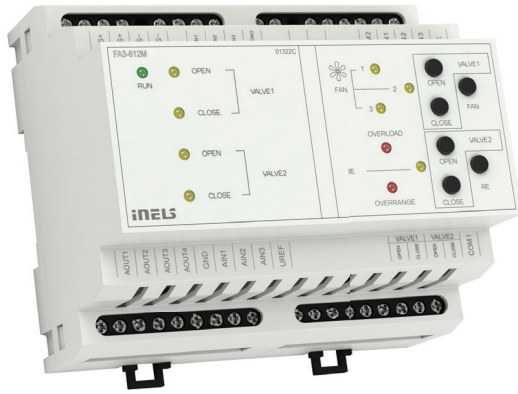
GSB3-40/B: 8595188132909

GSB3-60/B: 8595188132916

GSB3-80/B: 8595188132923

Technical parameters	GSB3-40	GSB3-60	GSB3-80
<b>Inputs</b>			
Temperature measuring:	YES, built-in thermo sensor		
Scope and accuracy of temp. measuring:	0 to +55°C; 0.3°C from the range		
Number of control buttons:	4	6	8
Inputs:	2x AIN/DIN		
Resolution:	according to the settings, 10 bits		
Ext. temperature sensor:	Yes, the connection between AIN1/DIN1 and AIN2/DIN2		
Type of ext. sensor:	TC/TZ		
Temperature measurement range:	-20°C to +120°C		
Temperature measurement accuracy:	0.5°C from range		
<b>Outputs</b>			
Indications:	pair of LEDs (red, green)		
Number of LED:	2	3	4
<b>Communication</b>			
Installation BUS:	BUS		
<b>Power supply</b>			
Supply voltage/tolerance:	27 V DC, -20/+10 %		
Dissipated power:	max. 0.5 W		
Rated current:	25 - 40 mA (at 27 V DC), from BUS		
<b>Connection</b>			
Terminals:	0.5 - 1 mm <sup>2</sup>		
<b>Operating conditions</b>			
Relative humidity:	max. 80 %		
Operating temperature:	-20 to +55 °C		
Storing temperature:	-30 to +70 °C		
Protection degree:	IP20		
Overvoltage category:	II.		
Pollution degree:	2		
Operation position:	any		
Installation:	into installation box		
<b>Dimensions and weight</b>			
Dimensions:	94 x 94 x 36 mm		
Weight:	155 g		

- The wall controller with touch controls series GSB3 is a design element (controller) in the system iNELS with elegant and comfortable control. Controllers are available in black (e.g. GSB3-40/B) and white (e.g. GSB3-40/W) variants.
- Between each pair of touch buttons there is available a pair of indicator LEDs (green, red) to signal not only the status of the controlled appliances, but also the status of any sensor or actuator in the system.
- At the location of each touch button there is available a blue diode signaling the touching of the given button. Touching may be signaled by a vibration impulse or sound tone - selectable in the software iDM3.
- Controllers are 4-channels (GSB3-40), 6-channels (GSB3-60) and 8-channels (GSB3-80).
- All versions are in the same dimension as a basic modular wall-switch (94x94 mm).
- Each controller is equipped with a thermo sensor. It is equipped with two analog-digital inputs (AIN/DIN), and it is possible to connect two potentialless contact or an external temperature sensor TC/TZ. (for example on floor temperature measurement).
- Controllers are equipped with an ambient light intensity sensor. From the basic information from the sensor, it is possible to illuminate orientation blue diodes in the touch controls GSB3 or perform various actions in the software iDM3, e.g. illuminate light circuits in a hallway, etc.
- Advantages over conventional switches/buttons include space saving, signaling of any output system, the ability to measure temperature and also the ability to connect external buttons or detectors.
- Each channel (button) can control any actuator (appliance) in the system. It is also possible to program various functions or macro (set of functions) to each button. This allows you to control several appliances with one button simultaneously.
- Each button (channel) can have different functional modes beside lighting control:
  - a) Classic wall-switch:
    - upper button ON, bottom button OFF
  - b) Button controller (impulse relay):
    - first press ON, second press OFF.
  - c) Dimmer:
    - short press – ON/OFF
  - d) Time switch:
    - ON after press, automatically OFF after set time.
  - e) Setting light scenes – for example: for watching TV:
    - shutters down
    - main light 30% intensity
    - wall-lamps 50% intensity
- Design series LOGUS<sup>90</sup> offers glass frames in black and white color. These frames goes perfectly with GSB3 wall buttons.



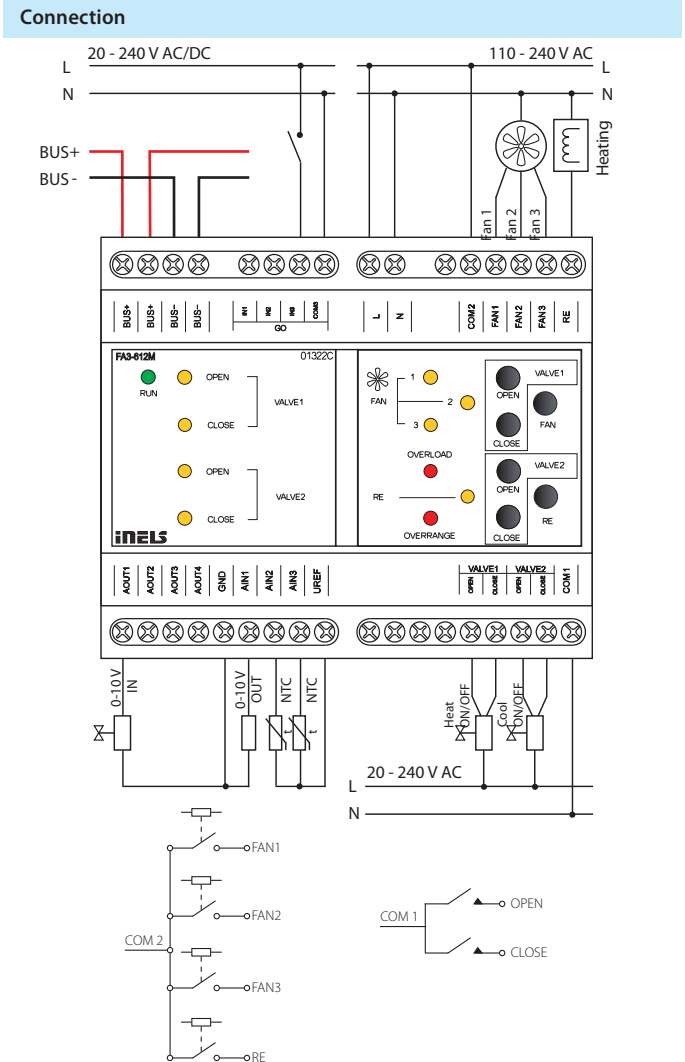
EAN code

FA3-612M: 8595188135276

- FA3-612M is a unit (actuator) designed to control fan coil units using analogue/digital inputs and analog/relay outputs.
- Analog inputs for temperature, voltage or current measurement (Uref reference voltage can also be used).
- The digital inputs are galvanically isolated with positive logic (Sink) in the 24-230 V AC/DC voltage range.
- Analog outputs 0-10 V.
- Connection to the installation BUS.
- Buttons for closing/opening the valve, fan and heating relay.
- The LEDs on the front panel indicate FAN, RE, VALVE1, VALVE2, OVER-RANGE, and OVERLOAD status.
- FA3-066M in 6-MODULE version is designed for mounting into a switchboard, on DIN rail EN60715.

Technical parameters		FA3-612M
<b>Input</b>		
<b>Analog inputs:</b>	3x voltage, current or temperature input	
Number of inputs:	3	
Galv. separation from inner circuits:	No	
Diagnostic:	indication red LED OVERRANGE (exceeding the range, interruption of a sensor or overload of Uref output)	
Common terminal:	GND	
Converter resolution:	14 bits	
Input resistance		
- for voltage ranges:	approx. 150 kΩ	
- for current ranges:	100 Ω	
Types of inputs/measuring ranges*:	<b>Voltage (U):</b> 0 ÷ +10 V (U) ; 0 ÷ +2 V (U) <b>Current (I):</b> 0 ÷ +20 mA (I) ; ÷ +20 mA (I) <b>temperature:</b> input at ext. temperature sensor TC, TZ, Ni1000**, Pt1000**, Pt100** see accessories/ according to used sensor from -30°C to 250°C	
<b>Digital inputs:</b>	3x switching or expansion, positive logic (SINK)	
Input voltage:	20 - 240 V AC (50 - 60 Hz)/DC	
Galv. separation from internal circuits:	Yes	
Common lead:	GO COM3	
<b>Outputs</b>		
<b>Analog:</b>	4x (A_OUT1 - A_OUT4)	
Voltage analog. output/max. Current:	4x 0(1) - 10 V/10 mA	
<b>Uref reference voltage outputs</b>		
Voltage/Current Uref:	10 V DC/100 mA	
Output overload indication:	red LED OVERLOAD	
<b>SSR (Electronic Relay):</b>	4x (VALVE1 - VALVE2)	
Switching voltage:	20 - 240 V AC	
Switching capacity:	480 VA	
Peak current:	20 A, t ≤ 16 ms	
Output indication:	yellow LED	
<b>Relay 6A:</b>	4x (FAN1-FAN3, RE)	
Switching voltage:	250 V AC, 24 V DC	
Switching capacity:	1500 VA/AC1; 300 VA/AC15; 180 W/DC, AC3	
Relay outputs separated from from all internal circuits:	reinforced Insulation (Cat. II surges by EN 60664-1)	
Minimum switching load:	500 mW (12 V/10 mA)	
Mechanical life:	10x10 <sup>6</sup>	
Electrical life AC1:	6x10 <sup>4</sup>	
Output indication:	yellow LED	
<b>Communication</b>		
Installation BUS:	BUS	
Status indication unit:	green LED RUN	
<b>Power supply</b>		
Supply voltage/tolerance/ rated current:	27 V DC, -20/+10 %, 5 mA	
Supply voltage of power section (relay) tolerance/ nominal current:	AC 230 V (50 Hz), -15/+10 %, 20 mA	
Dissipated power:	max. 1 W	

Connection	
Terminal:	max. 2.5 mm <sup>2</sup> /1.5 mm <sup>2</sup> with sleeve
<b>Operating conditions</b>	
Operating temperature:	-20 to +55 °C
Storing temperature:	-30 to +70 °C
Protection degree:	IP20 device, IP40 mounting in the switchboard
Overvoltage category:	II.
Pollution degree:	2
Operating position:	any
Installation:	switchboard on DIN rail EN 60715
Design:	6-MODULE
<b>Dimensions and weight</b>	
Dimensions:	90 x 105 x 65 mm
Weight:	307 g



\* selectable for each input individually by configuration in the user program iDM3.  
 \*\* The FA3-612M / Pt version is available for these sensors.



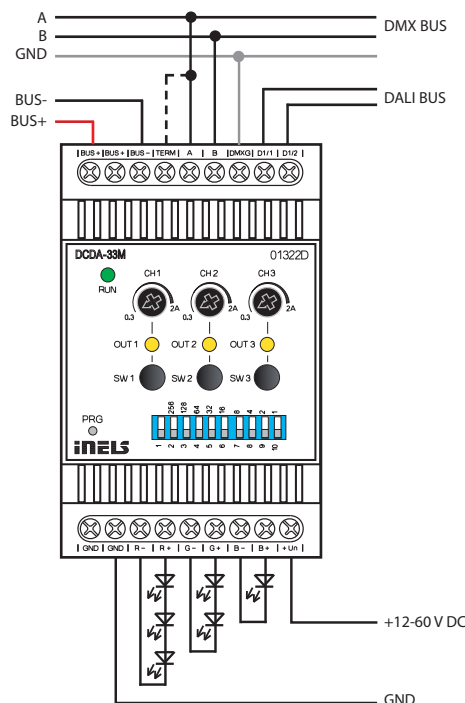
EAN code  
DCDA-33M: 8595188146807

Technical parameters		DCDA-33M
<b>Power supply</b>		
Supply terminals:	Un+, GND	
Supply voltage:	12 - 60 V	
Consumption:	min. 0.5 W, max. 165 W	
Supply voltage from BUS/ tolerance:	27 V DC, -20/+15 %	
Dissipated power:	max. 2 W	
<b>Outputs</b>		
Dimming load:	LED chips controlled by variable streams or alternatively multiple LED chips connected in series *	
Number of channels:	3	
Rated current:	350 mA - 2 A	
Output power:	3x 50 W	
Output voltage:	6.5 - 55 V	
Switching voltage:	Un	
Output indication	LED OUT1, OUT2, OUT3	
- light:	ON	
- short:	flashing	
- no light:	OFF	
<b>Control</b>		
DALI:	1200 bit/s, 250 mA	
BUS:	compatible with iNELS3, consumption < 4 mA	
DMX:	250 kbit/s, 512 channels, control RGB(M) 3(4) channels	
<b>Operating conditions</b>		
Relative humidity:	max. 80 %	
Operating temperature:	-20°C to +55°C	
Storage temperature:	-30°C to +70°C	
Protection degree:	IP20 device, IP40 mounitg in the switchboard	
Overvoltage category:	II.	
Pollution degree:	2	
Operating position:	vertical	
Installation:	into switchboard on DIN rail EN60715	
Implementation:	3-MODULE	
<b>Dimensions and weight</b>		
Dimensions:	90 x 52 x 65 mm	
Weight:	135g	

\* for more information, see our manual.

- DCDA-33M is a dimming unit designed to dim single-color and RGB LED light sources controlled by variable current.
- The actuator has three independent channels and each output channel is individually addressable and controllable.
- DCDA-33M actuator can be controlled from the BUS, DALI or DMX.
- When controlling the unit from the BUSES and DMX, also the fourth virtual channel can be supported to control overall brightness (BUS – set in iDM3, DMX – set by long press of the PRG button).
- DCDA-33M can directly control from the system iNELS where the communication interface is the installation BUS.
- If for controlling, a communication interface DALI or DMX is used, it is possible to use the master unit EMDC-64M.
- The supply voltage of the dimming unit must be at least 4 V higher than the expected output voltage on the load.
- Setting the communication interface and addresses of actuators is performed using DIP switches:
  - switch No. 1
    - In the upper position determines DALI or BUS
    - In the lower position determines DMX
  - switch No. 2 (if that switch 1 is in the upper position)
    - In the upper position determines DALI
    - In the lower position determines BUS
- Using the control buttons on the front panel, you can manually control the output.
- The input circuits of communication interfaces are optically isolated from the supply voltage connected lamp unit, and is therefore resistant to electromagnetic interference.
- DCDA-33M in 3-module is designed for panel mounting on DIN rail EN60715.

**Connection**

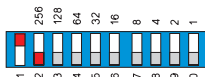


**Setting the DIP switches**

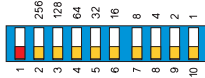
Setting the DALI communication interface - Switch 1 and 2.



Setting the BUS communication interface - Switch 1 and 2.



Setting the DMX communication interface - Switch 1.  
Setting address - Switch 2-10.







EAN code  
 DA3-22M: 8595188132626  
 DA3-22M/120V: 8595188133036

- DA3-22M is a universal dimming 2-fold actuator enabling control of brightness intensity of dimmable light sources of the type ESL, LED and RLC with power supply 230 V.
- DA3-22M has two MOSFET controlled outputs 230 V AC, maximum load is 2x 400 VA.
- Option of connecting an external temperature sensor.
- Each output channel is independently controllable and addressable.
- Type of light source is set by a switch on the front panel.
- By setting the min. brightness potentiometer on the front panel, flashing of different types of light sources is eliminated.
- DA3-22M is equipped with two inputs 230 V AC, which can be controlled by mechanical switches (buttons, relays). Inputs are galvanically connected to potential L, which is permanently at the terminals IN1 and IN2.
- Buttons on the front panel, you can manually switch on or off the corresponding output.
- Electronic overcurrent and thermal protection - switch off output in case of overload short circuit and overheating.
- The power supply (potential L) must be protected by a protective element corresponding to the power input of the connected load, e.g. a safety fuse.
- During installation, it is necessary to leave on each side of the actuator at least half the module space for better cooling.
- DA3-22M in 3-MODULE version is designed for mounting into a switchboard on DIN rail EN60715.

Technical parameters	DA3-22M	DA3-22M/120V
----------------------	---------	--------------

Inputs		
Input:	2x inputs, switching potential L*	
Temperature measuring:	YES, input for external thermo sensor TC/TZ	
Scope and accuracy of temp. measurement:	-20 to +120°C; 0.5°C from the range	
Number of control buttons:	2x buttons 4x potentiometers on front panel	

Outputs		
Output:	2x contactless outputs, 2x MOSFET	
Load type:	resistive, inductive, capacitive**, LED, ESL	
Isolation BUS separated from all internal circuits:	reinforced insulation (Cat. II surges by EN 60664-1)	
Isolation voltage between particular power:	max. 500 V AC	
Minimal controlled load:	10 VA	
Maximal controlled load:	400 VA for each channel	200 VA for each channel
Output indication ON/OFF:	2x yellow LED	
Device protection:	thermal/short-term overload/ long-term overload	

Communication		
Installation BUS:	BUS	

Power supply		
Supply voltage by BUS/ tolerance:	27 V DC, -20/+10 %	
Rated current:	5 mA (at 27 V DC), from BUS	
Status indication unit:	green LED RUN	
Supply voltage for power section/tolerance:	AC 230 V (50 Hz), -15/+10 %	AC 120 V (60 Hz), -15/+10 %
Dissipated power:	max. 13 W	max. 7.5 W

Connection		
Terminal:	max. 2.5 mm <sup>2</sup> /1.5 mm <sup>2</sup> with sleeve	

Operating conditions		
Air humidity:	max. 80 %	
Operating temperature:	-20 to +35 °C	
Storing temperature:	-30 to +70 °C	
Protection degree:	IP20 device, IP40 mounting in the switchboard	
Overvoltage category:	II.	
Pollution degree:	2	
Operating position:	vertical	
Installation:	switchboard on DIN rail EN 60715	
Design:	3-MODULE	

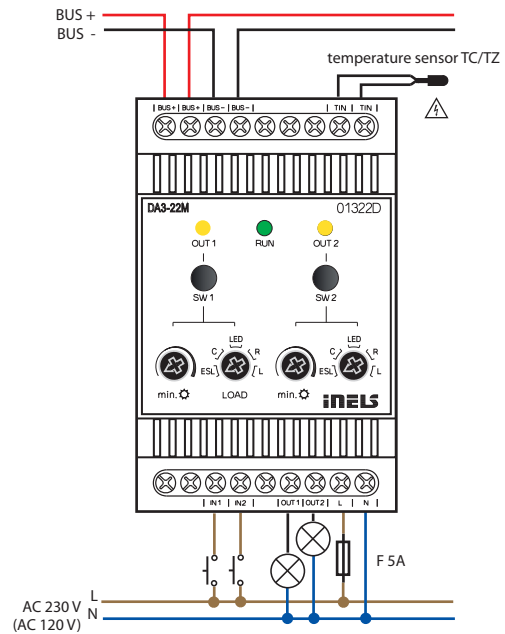
Dimensions and weight		
Dimensions:	90 x 52 x 65 mm	
Weight:	170 g	

\* The inputs are not galvanically isolated from the supply voltage.

\*\* **Attention:** It is not allowed to connect loads of inductive and capacitive character, at the same time.

⚠ Input is connected to the mains voltage potential.

**Connection**



**Types of connectable loads**

type of source	symbol	description
R resistive		ordinary light bulb, halogen lamp
L inductive		coiled transformer for low-voltage halogen lamps
C capacitive		electronic transformer for low-voltage halogen lamps
LED		LED lamps and LED light sources, 230 V
ESL		dimmable energy-saving fluorescent tubes



EAN code  
DA3-06M: 8595188174442  
DA3-06M/120V: 8595188174459

Technical parameters	DA3-06M	DA3-06M/120V
----------------------	---------	--------------

#### Outputs

Output:	6x contactless outputs, 2x MOSFET, channel	
Load type:	resistive, inductive, capacitive*, LED, ESL	
Isolation BUS separated from all internal circuits:	reinforced insulation (Cat. II surges by EN 60664-1)	
Isolation voltage between particular power:	max. 500 V AC	
Minimal controlled load:	10 VA	
Maximal controlled load:	150 VA for each channel	75 VA for each channel
Output indication ON/OFF:	6x yellow LED	
Device protection:	thermal/short-term overload/ long-term overload/short circuit	

#### Communication

Installation BUS:	BUS
-------------------	-----

#### Power supply

Supply voltage by BUS/ tolerance:	27 V DC, -20/+10 %	
Rated current:	100 mA (at 27 V DC), from BUS	
Status indication unit:	green LED RUN	
Supply voltage for power section/tolerance:	3x AC 230 V (50 Hz), -15/+10 %	3x AC 120 V (60 Hz), -15/+10 %

#### Connection

Terminal:	max. 2.5 mm <sup>2</sup> /1.5 mm <sup>2</sup> with sleeve
-----------	---

#### Operating conditions

Air humidity:	max. 80 %
Operating temperature:	-20 to +35 °C
Storing temperature:	-30 to +70 °C
Protection degree:	IP20 device, IP40 mounting in the switchboard
Overvoltage category:	II.
Pollution degree:	2
Operating position:	vertical
Installation:	switchboard on DIN rail EN 60715
Design:	6-MODULE

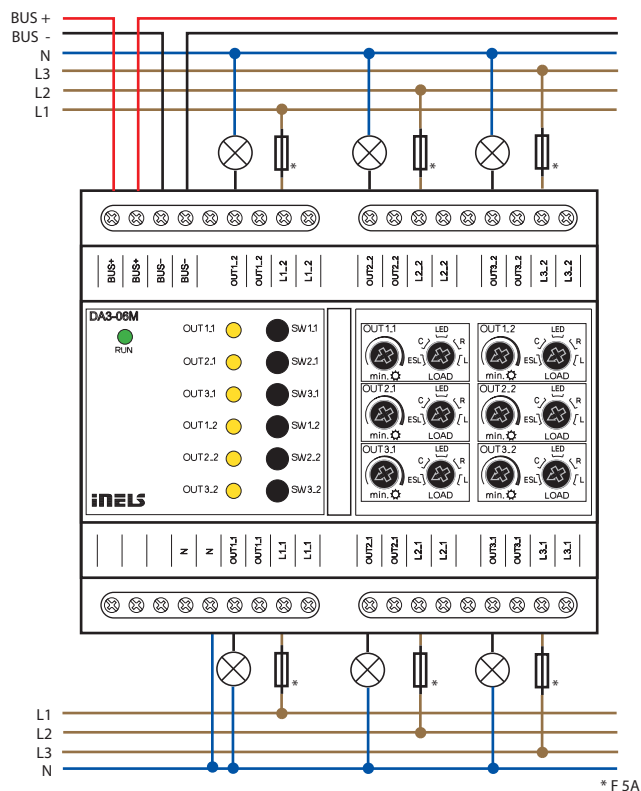
#### Dimensions and weight

Dimensions:	90 x 105 x 65 mm
Weight:	320 g

\* **Attention:** It is not allowed to connect loads of inductive and capacitive character, at the same time.

- DA3-06M is a universal six-channel dimmer actuator that controls the brightness of dimmable ESL, LED and RLC light sources with 230V power.
- The DA3-06M has 6 semiconductor controlled 230 V AC outputs. Maximum possible load is 150 VA for each channel.
- Each of the output channels is individually controllable.
- Setting min. brightness with the potentiometer on the front of the instrument eliminates flickering of different types of light sources.
- Using the front panel control buttons, you can manually control the output.
- The actuator is equipped with electronic overcurrent and thermal protection that shuts off the output during overloads, short circuits or overheating.
- When installing, on each side of the actuator, it is necessary to leave at least half a module space for better cooling.
- DA3-06M in 6-MODULE version is designed for mounting into a switchboard/ DIN rail EN60715.

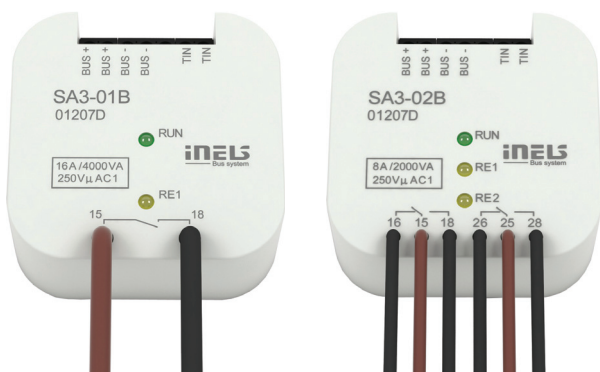
#### Connection



\* F 5A

#### Types of connectable loads

type of source	symbol	description
R resistive		ordinary light bulb, halogen lamp
L inductive		coiled transformer for low-voltage halogen lamps
C capacitive		electronic transformer for low-voltage halogen lamps
LED		LED lamps and LED light sources, 230 V
ESL		dimnable energy-saving fluorescent tubes



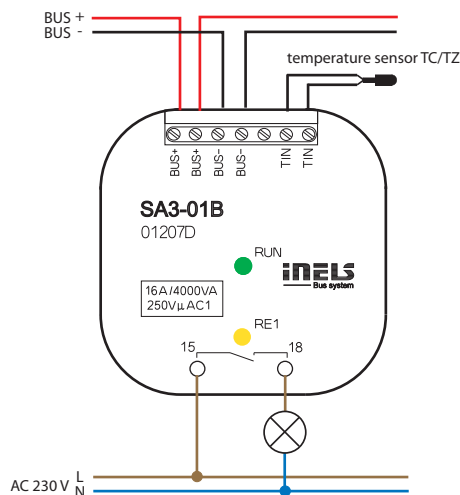
EAN code  
SA3-01B: 8595188132350  
SA3-02B: 8595188132367

Technical parameters	SA3-01B	SA3-02B
<b>Inputs</b>		
Temperature measuring:	Yes, input for external thermo sensor TC, TZ	
Scope and accuracy of tem. meas.:	-20 to +120°C; 0.5°C from the range	
<b>Outputs</b>		
Output:	1x NO 16 A/AC1	2x NC 8 A/AC1
Switching voltage:	250 V AC, 24 V DC	
Switched load:	4000 VA/AC1, 384 W/DC	2000 VA/AC1, 192 W/DC
Surge current:	30 A; max. 4 s. when repeating 10%	10 A
Output relays separated from all internal circuits:	reinforced Insulation (Cat. II surges by EN 60664-1)	
Insulation voltage between relay outputs RE1-RE2:	x	basic Isolation (Cat. II surges by EN 60664-1)
Minimal switching current:	100 mA/5 V	
Switching frequency/no load:	1200 min <sup>-1</sup>	300 min <sup>-1</sup>
Switching frequency/rated load:	6 min <sup>-1</sup>	15 min <sup>-1</sup>
Mechanical lifetime:	3x 10 <sup>7</sup>	1x 10 <sup>7</sup>
Electrical lifetime for AC1:	0.7x 10 <sup>5</sup>	1x 10 <sup>5</sup>
Output indication:	yellow LED	2x yellow LED
<b>Communication</b>		
Installation BUS:	BUS	
<b>Power supply</b>		
Supply voltage/tolerance:	27 V DC, -20/+10 %	
Dissipated power:	max. 4 W	
Rated current:	30 mA (at 27 V DC)	50 mA (at 27 V DC)
Status indication unit:	green LED RUN	
<b>Connection</b>		
Data terminals:	terminal, 0.5 - 1 mm <sup>2</sup>	
Power outputs:	2x conduct. CY, Ø 2.5 mm <sup>2</sup>	6x conduct. CY, Ø 0.75 mm <sup>2</sup>
<b>Operating conditions</b>		
Operating temperature:	-20 to +55 °C	
Storage temperature:	-30 to +70 °C	
Protection degree:	IP30	
Overvoltage category:	II.	
Pollution degree:	2	
Operating position:	any	
Installation:	into installation box	
<b>Dimensions and weight</b>		
Dimensions:	49 x 49 x 21 mm	
Weight:	50 g	50 g

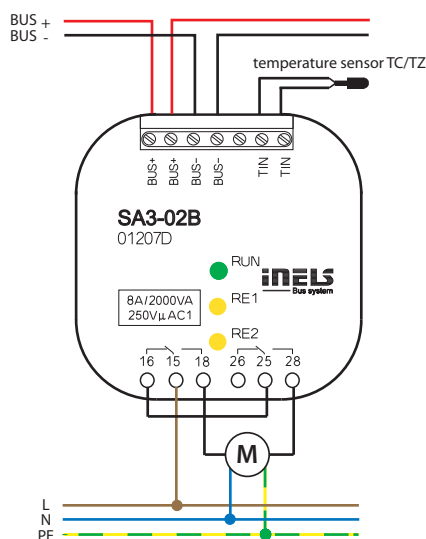
- Actuators are designed for switching of one (SA3-01B), respectively two (SA3-02B) of various appliances and loads relay output (potential-less contact).
- SA3-01B contains 1 relay with switching potentialless contact with max. load 16 A/4000 VA/AC1.
- SA3-02B contains 2 relays with switching potentialless contacts with max. load 8 A/2000 VA/AC1.
- Output contacts are separately controllable and addressable.
- Both relay actuator SA3-02B are individually decorated input terminals, and therefore can switch various independent potentials.
- Thanks to changeover contacts, the SA3-02B actuator can be used to control a 230 V drive (such as blinds, shutters or awnings), whereas by proper bridging of contacts, it is possible to secure locking hardware options while switching on phase two outputs.
- Actuators are equipped with a temperature input for connecting an external two-wire temperature sensor TC/TZ.
- LED on front panel signalizes state of each output.
- SA3 is normally supplied in the option AgSnO<sub>2</sub> contact material.
- SA3-01B, SA3-02B are designed for mounting into the installation box.

### Connection

#### SA3-01B



#### SA3-02B





EAN code  
SA3-06M: 8595188132879

## Technical parameters

## SA3-06M

### Outputs

Output:	6x changeover 8 A/AC1
Switching voltage:	250 V AC, 24 V DC
Switching output:	2000 VA/AC1, 192 W/DC
Surge current:	10 A
Output relays separated from all internal circuits:	reinforced Insulation (Cat. II surges by EN 60664-1)
Isolation between relay outputs COM1 and COM2:	reinforced Insulation (Cat. II surges by EN 60664-1)
Isolation between individual relay outputs:	basic insulated (Cat. II surges by EN 60664-1)
Isolates. voltage open relay contact:	1 kV
Max. current terminals COM1 and COM2:	16 A
Min. switched current:	100 mA/5 V DC
Switching frequency/no load:	300 min <sup>-1</sup>
Switching frequency/rated load:	15 min <sup>-1</sup>
Mechanical life:	2x 10 <sup>7</sup>
Electrical life AC1:	5x 10 <sup>4</sup>
Output indication:	6x yellow LED

### Communication

Installation BUS:	BUS
-------------------	-----

### Power supply

Supply voltage/tolerance:	27 V DC, -20/+10 %
Dissipated power:	max. 9 W
Rated current:	60 mA (at 27 V DC), from BUS
Status indication unit:	green LED RUN

### Connection

Terminal:	max. 2.5 mm <sup>2</sup> /1.5 mm <sup>2</sup> with sleeve
-----------	---

### Operating conditions

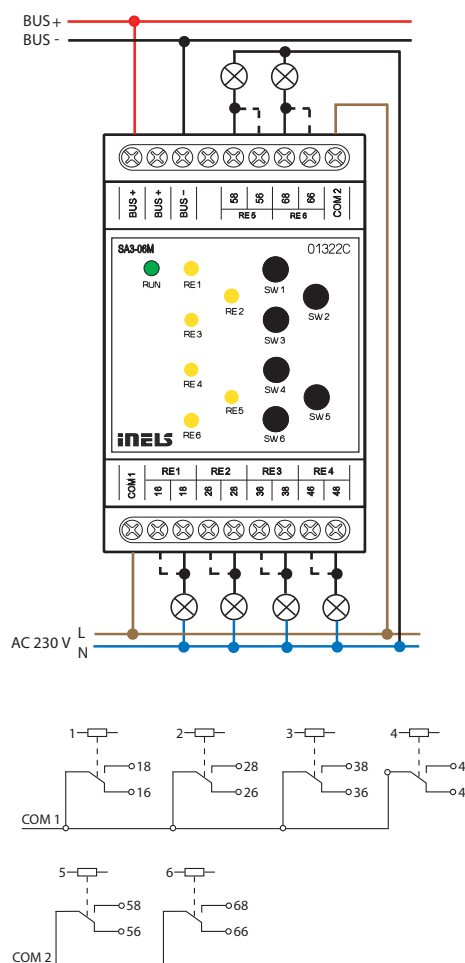
Air humidity:	max. 80%
Operating temperature:	-20 to +55 °C
Storing temperature:	-30 to +70 °C
Protection degree:	IP20 device, IP40 mounting in the switchboard
Overvoltage category:	II.
Pollution degree:	2
Operation position:	any
Installation:	switchboard on DIN rail EN 60715
Design:	3-MODULE

### Dimensions and weight

Dimensions:	90 x 52 x 65 mm
Weight:	160 g

- The actuator is designed for switching up to six various appliances and loads with potentialless contact.
- SA3-06M is a switching actuator contains 6 independent relays with changeover potentialless contacts.
- Maximum load per contact is 8 A/2000 VA/AC1.
- Each of six output contacts are individually controllable and addressable.
- The relays are divided into two groups, the group of four relays on the bottom terminal switches the common potential, a pair of relays on top of the terminal switches second common potential.
- The actuator is suitable for operating discontinuously controlled thermo drives in the distributor underfloor heating.
- LEDs on the front panel signal the status of each output.
- Contact status of each relay can be changed separately and manually by control buttons on a front panel.
- SA3-06M is normally supplied in the option AgSnO<sub>2</sub> contact material.
- SA3-06M in 3-MODULE version is designed for mounting into a switchboard/DIN rail EN60715.

## Connection





EAN code  
 SA3-012M: 8595188132466  
 SA3-012M/120V: 8595188133029

- The actuator is designed for switching to twelve various appliances and loads with potentialless contact.
- SA3-012M is a switching actuator containing 12 independent relays with NO potentialless contacts, with the fact that switches the same potential.
- Maximal loadability of contacts is 8 A/2000 VA/AC1.
- Each of the twelve output contacts are individually controllable and addressable.
- Actuator SA3-012M is powered by an AC voltage 230 V. The unit SA3-012M/120 V is powered by AC voltage 120 V AC.
- BUS is galvanically separated from the internal circuits of unit.
- LED on front panel signalizes state of each output.
- Contact status of each relay can be changed separately and manually by control buttons on a front panel.
- SA3-012M is normally supplied in the option AgSnO<sub>2</sub> contact material.
- SA3-012M in design 6-MODULE is designed to be mounted into a switchboard, onto DIN rail EN60715.

**Technical parameters SA3-012M SA3-012M/120V**

**Outputs**

Output:	12x NO 8 A/AC1
Switched voltage:	250 V AC, 24 V DC
Switched output:	2000 VA/AC1, 192 W/DC
Peak current:	10 A
Output relays separated from all internal circuits:	reinforced Insulation (Cat. II surges by EN 60664-1)
Isolation between relay outputs COM1, COM2 and COM3:	reinforced Insulation (Cat. II surges by EN 60664-1)
Isolates. voltage open relay contact:	1 kV
Max. current of one common terminal:	16 A
Minimal switched current:	100 mA/10 V DC
Switching frequency without load:	300 min <sup>-1</sup>
Switching frequency with rated load:	15 min <sup>-1</sup>
Mechanical life:	1x 10 <sup>7</sup>
Electrical life AC1:	1x 10 <sup>5</sup>
Output indication:	12 x yellow LED

**Communication**

Installation BUS:	BUS
The installation BUS is separated from all internal circuits:	reinforced Insulation (Cat. II surges by EN 60664-1)
Status indication unit:	green LED RUN

**Power supply**

Voltage of BUS/tolerance/nominal current:	27 V DC, -20/+10 %, 5mA	
Supply voltage of power section (relay) tolerance/nominal current:	AC 230 V (50 Hz), -15/+10 %, 20 mA	AC 120 V (60 Hz), -15/+10 %, 40 mA
Dissipated power:	max. 6 W	max. 5 W

**Connection**

Terminal:	max. 2.5 mm <sup>2</sup> /1.5 mm <sup>2</sup> with sleeve
-----------	---

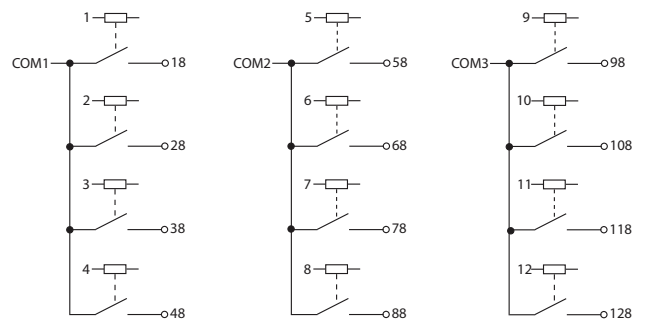
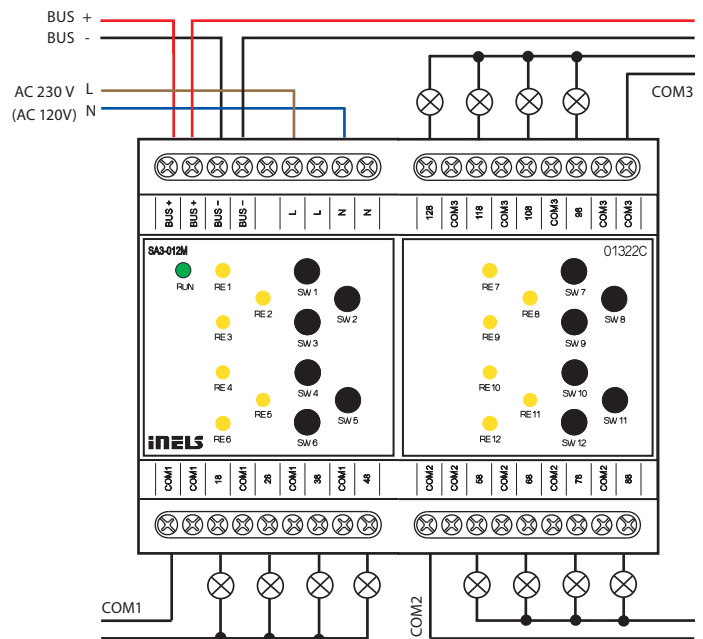
**Operating conditions**

Operating temperature:	-20 to +55 °C
Storing temperature:	-30 to +70 °C
Protection degree:	IP20 device, IP40 mounting in the switchboard
Overvoltage category:	II.
Pollution degree:	2
Operating position:	any
Installation:	switchboard on DIN rail EN 60715
Design:	6-MODULE

**Dimensions and weight**

Dimensions:	90 x 105 x 65 mm
Weight:	310 g

**Connection**





EAN code  
SA3-02M: 8595188132374

### Technical parameters

### SA3-02M

#### Outputs

Output:	2x changeover 16 A/AC1
Switching voltage:	250 V AC, 24 V DC
Switching load:	4000 VA/AC1, 384 W/DC
Surge current:	30 A; max. 4 s. at duty cycle 10%
Output relays separated from all internal circuits:	reinforced Insulation (Cat. II surges by EN 60664-1)
Isolation between relay outputs RE1 and RE2:	reinforced Insulation (Cat. II surges by EN 60664-1)
Isolates. voltage open relay contact:	1 kV
Minimal switching current:	100 mA
Switching frequency/no load:	1200 min <sup>-1</sup>
Switching frequency/rated load:	6 min <sup>-1</sup>
Mechanical lifetime:	3x 10 <sup>7</sup>
Electrical lifetime AC1:	0.7x 10 <sup>5</sup>
Outputs indication:	2x yellow LED

#### Communication

Installation BUS:	BUS
-------------------	-----

#### Power supply

Supply voltage/tolerance:	27 V DC, -20/+10 %
Dissipated power:	max. 4 W
Rated current:	50 mA (at 27 V DC), from BUS
Status indication unit:	green LED RUN

#### Connection

Terminal:	max. 2.5 mm <sup>2</sup> /1.5 mm <sup>2</sup> with sleeve
-----------	---

#### Operating conditions

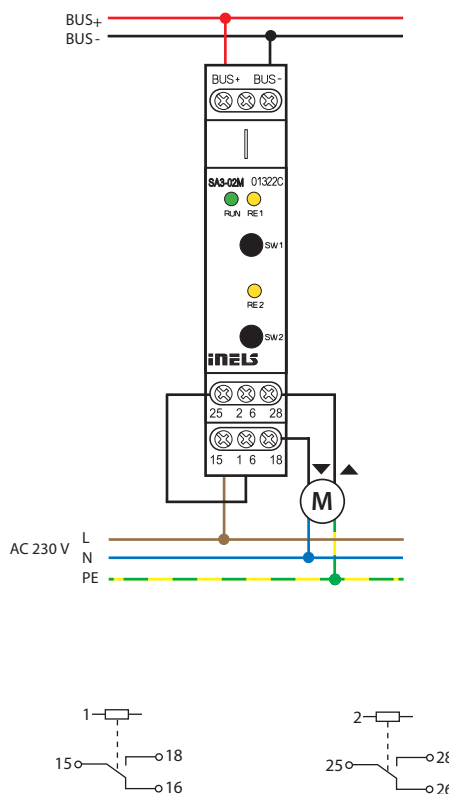
Air humidity:	max. 80 %
Operating temperature:	-20 to +55 °C
Storing temperature:	-30 to +70 °C
Protection degree:	IP20 device, IP40 mounting in the switchboard
Overvoltage category:	II.
Pollution degree:	2
Operation position:	any
Installation:	switchboard on DIN rail EN 60715
Design:	1-MODULE

#### Dimensions and weight

Dimensions:	90 x 17.6 x 64 mm
Weight:	82 g

- Actuator SA3-02M is designed for switching two various appliance and loads with potentialless contact.
- SA3-02M is a switching actuator containing 2 independent relays with changeover potentialless contacts.
- Maximum load per contact is 16 A/4000 VA/AC1.
- Each of the two output contacts are individually controllable and addressable.
- Both relays are individually decorated input terminals, and therefore can switch various independent potentials.
- The actuator is designed for switching up to two various appliances and loads relay output (potentialless contact).
- Thanks to changeover contacts, it can be used to control one 230 V power (such as blinds, shutters or awnings) with appropriate bridging, the contacts can secure hardware blocking the possibility of simultaneous switching of the phase on both outputs, see example of connection.
- LEDs on the front panel signal the status of each output.
- Contact status of each relay can be changed separately and manually by control buttons on the front panel.
- Switching actuators SA3 are normally supplied in the option AgSnO<sub>2</sub> contact material.
- SA3-02M in 1-MODULE version is designed for mounting into a switchboard, on DIN rail EN60715.

#### Connection



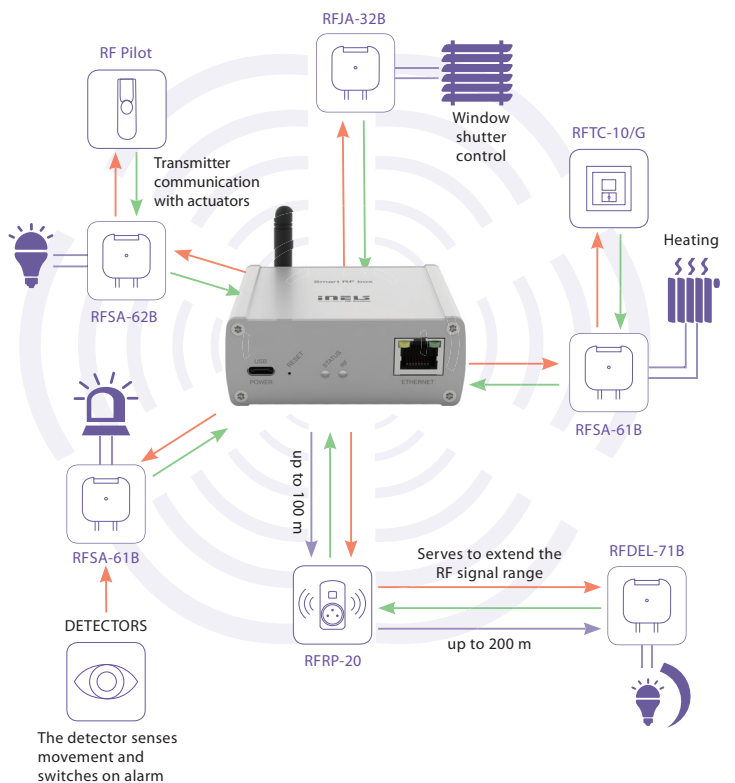
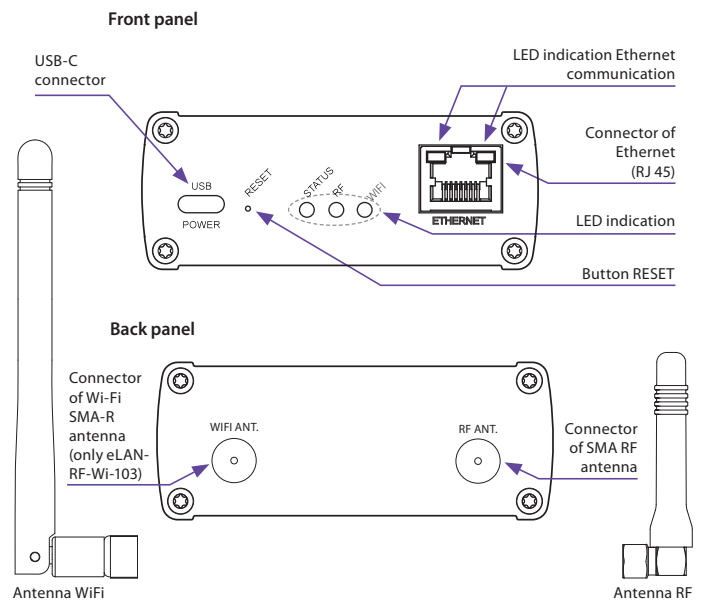


Technical parameters	eLAN-RF-103	eLAN-RF-Wi-103
<b>Interface RF Control</b>		
Communication protocol:	RFIO, RFIO2	
Broadcasting frequency:	866–922 MHz (for more information see p. 76)	
Signal transfer method:	two-way addressed message	
Output for antenna:	SMA connector*	
Antenna RF:	AN-I 1 dB	
Indications RF communications:	1x green RF LED	
Range:	in open space up to 100 m	
<b>Interface Ethernet</b>		
ETH operating status indicator:	green LED	
ETH communication indicator:	yellow LED	
Communications interface:	100 Mbps (RJ45)	
Preset IP address:	DHCP	
<b>Interface Wi-Fi</b>		
Standard:	x	IEEE 802.11 b/g/n/2.4 GHz
Wi-Fi Security:	x	WEP, WPA-PSK, WPA2-PSK
Frequency range Wi-Fi:	x	R-SMA connector*
Antenna Wi-Fi:	x	WiFi 2.4 GHz 1 dB
Indications Wi-Fi communication:	x	1x green LED Wi-Fi
Range:	x	up to 20 m
Wi-Fi network mode:	x	SOFT-AP/Client
<b>Power supply</b>		
Supply voltage / current:	5V DC/0.5A	5V DC/1A
Power source:	110 - 230 V AC/5 V DC - 2A (connector USB-C)	
Button RESET		
- short press:	restart the device	
- press> 5s	reset network settings	
- press> 10s:	reset to factory settings	
<b>Indication LED STATUS</b>		
- green:	normal mode	
- red:	error condition	
- orange:	initialization/start	
<b>Other data</b>		
Operating temperature:	-20 to +50 °C	
Storage temperature:	-25 to +70 °C	
Protection:	IP20	
Contamination degree:	2	
Working position:	any	
Dimensions:	90 x 52 x 65 mm	
Weight:	136 g	146 g

\* Max Tightening Torque for antenna connector is 0.56 Nm.

- The Smart RF Box is a gateway between iNELS RF elements and applications for smartphones, tablets, watches, televisions, voice assistants (Google Home & Alexa) and other third-party devices.
- It is produced in two versions:
  - a) eLAN-RF-103: LAN communication
  - b) eLAN-RF-Wi-103: LAN communication with WiFi in AP (Access Point) mode with direct connection of the smartphone to eLAN-RF-Wi-103 or in Client mode (connection to the home WiFi network by connecting the smartphone via home wireless router).
- It communicates from up to 70 iNELS RF elements, processes set programs for automatic control.
- Thanks to two-way communication, it displays the current status of individual elements.
- Powered by 5 V DC/2A adapter, USB-C connector (included).
- Configuration is done via the iHC application.
- The package includes an internal antenna AN-I , in case the Smart RF box is located in a metal switchboard, you can use the external antenna AN-E for better signal reception, see accessories on page 75. For the eLAN-RF-Wi-103 version, a WiFi antenna is included in the package.

**Device description**



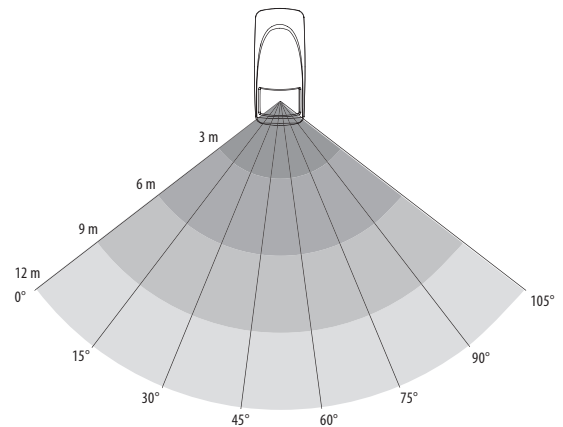
— Command to execute function  
 — Function execution feedback



Technical parameters		RFMD-100
Power supply:	2x 1.5 V AA batteries	
Battery life:	up to 1 year, according to the number of activations	
Drained battery indicator:	yes	
<b>Control</b>		
Communication protocol:	RFIO	
Frequency:	866–922 MHz (for more information see p. 76)	
Repeater function:	no	
Detection angle:	105°	
Detection distance:	max. 12 m	
Recommended working height:	max. 2.4 m	
<b>Other data</b>		
Working temperature:	-10 to +50°C	
Protection:	IP20	
Colour:	white	
Dimension:	46 x 105 x 43 mm	
Weight:	57 g	

- The motion detector PIR is used to detect persons moving inside the building interior.
- Use:
  - in combination with a switching unit for automatic control of lighting or triggering an alarm.
  - by means of the Smart RF box, detection can be displayed on your smart phone in the form of a notification; alarms are stored in the history, which is visualized in the application iHC.
- Sensitivity settings of the PIR detector for eliminating unwanted triggering.
- Integrated lighting sensor, thanks to which you can set the detector's reaction time.
- Option of activation/deactivation of the LED indicator on the detector cover.
- Anti-tamper function: an alarm is triggered if there is an unauthorized interference to detector.
- Power supply: 2x 1.5 V AA batteries, the battery life is around 1 year.
- "Low Battery" Alerts by double LED flashing or on iHC App.
- The detectors are compatible with switching components marked with the RFIO2 communication protocol and the eLAN-RF system components.
- Communication frequency with bidirectional protocol RFIO.

#### Detection field







- The Window/Door detector is used to detect opening where activation occurs when the magnet and the sensor become separated.
- Use:
  - in combination with the switching unit for automatic light control (cellar, garage, etc.), or switching on a GSM gate
  - by means of the Smart RF box, detection can be displayed on your smart phone in the form of a notification; alarms are stored in the history, which is visualized in the application iHC.
- Anti-tamper function: an alarm is triggered if there is an unauthorized interference to detector.
- Power supply: 1x 3 V CR 2032 battery, the battery life is around 1 year, thanks to the ability to turn off the LED indicator it is possible to extend up to 3 years.
- "Low Battery" Alerts on Your iHC App.
- The detectors are compatible with switching components marked with the RFIO2 communication protocol and the eLAN-RF system components.
- Communication frequency with bidirectional protocol RFIO.

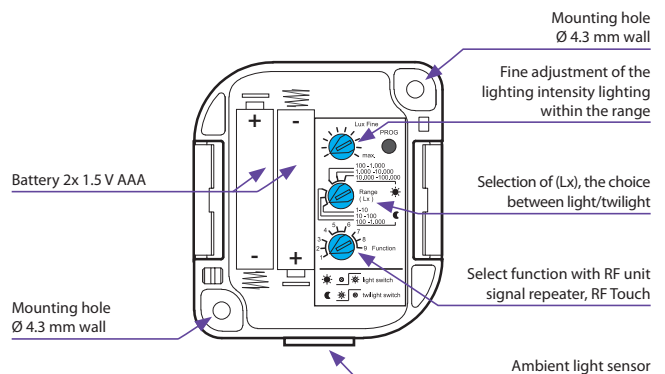
Technical parameters	RFWD-100
Power supply:	1x 3 V CR 2032 battery
Drained battery indicator:	yes
<b>Control</b>	
Communication protocol:	RFIO
Frequency:	866–922 MHz (for more information see p. 76)
Repeater function:	no
<b>Other data</b>	
Working temperature:	-10 to +50°C
Protection:	IP20
Colour:	white
Dimension:	25 x 75 x 16 mm
Magnet dimension:	15 x 75 x 14 mm



Technical parameters		RFSOU-1
Power supply:	2 x 1.5 AAA batteries	
Battery Life:	Appr. 2 years, according to the number of controlled units	
Setting the range of light levels		
Function ☾ (twilight switch)		
- Range 1:	1 to 10 lx	
- Range 2:	10 to 100 lx	
- Range 3:	100 to 1.000 lx	
Function ☀ (light switch)		
- Range 1:	100 to 1 000 lx	
- Range 2:	1 000 to 10 000 lx	
- Range 3:	10 000 to 100 000 lx	
Function setting:	rotary switch	
The level of lighting gently:	0.1 to 1 x range	
Fine adjustment of lighting levels:	potentiometer	
The time delay t:	0/1 min./2 min.	
Setting the delay time t:	rotary switch	
Control		
Communication protocol:	RFIO	
Frequency:	866–922 MHz (for more information see p. 76)	
Repeater function:	no	
Range:	in open space up to 160 m	
Other data		
Working temperature:	-20 to + 50°C	
Storage temperature:	-30 to + 70°C	
Operating position:	sensor side down	
Protection:	IP65	
Degree of pollution:	2	
Dimension:	72 x 62 x 34 mm	
Weight:	104 g	
Standards:	EN 60730-1, EN 300 220, EN 301 489 R&TTE Directive, Order. No 426/2000 Coll. (Directive 1999/EC)	

- The twilight switch measures the light intensity and based on a set value, it sends the command to switch on the lights or pull the blinds up or down.
- It can be combined with multifunctional switching units and blind switches.
- Integrated sensor for measuring illumination, settable in 3 ranges 1-100,000 lx.
- Selection of function:
  - a) twilight switch – automatically switches on upon a decrease in ambient light intensity, switches off upon an increase (appropriate for garden lights, advertisements, public lighting, etc.).
  - b) light switch – automatically switches on upon an increase in ambient light intensity, switches off upon a decrease (appropriate for offices, restaurants, rooms, etc.).
- Settable delay up to 2 minutes to eliminate unwanted switching caused by surrounding influences.
- The twilight switch may control up to 32 units in the installation.
- The programming button on the regulator is used for:
  - a) setting a function with a switching or blind unit
  - b) ascertaining battery status
  - c) ascertaining signal quality between the unit and dimmer.
- Battery power (2x 1.5 V AAA batteries - included in supply) with battery life of around 2 years based on the number of controlled units.
- Range up to 160 m (in open space), if the signal is insufficient between the controller and unit, use the signal repeater RFRP-20 or protocol component RFIO2 that support this feature.
- Communication frequency with bidirectional protocol RFIO.
- The increased IP65 protection is suited to mounting on the wall or into the rural environment.

#### Device description

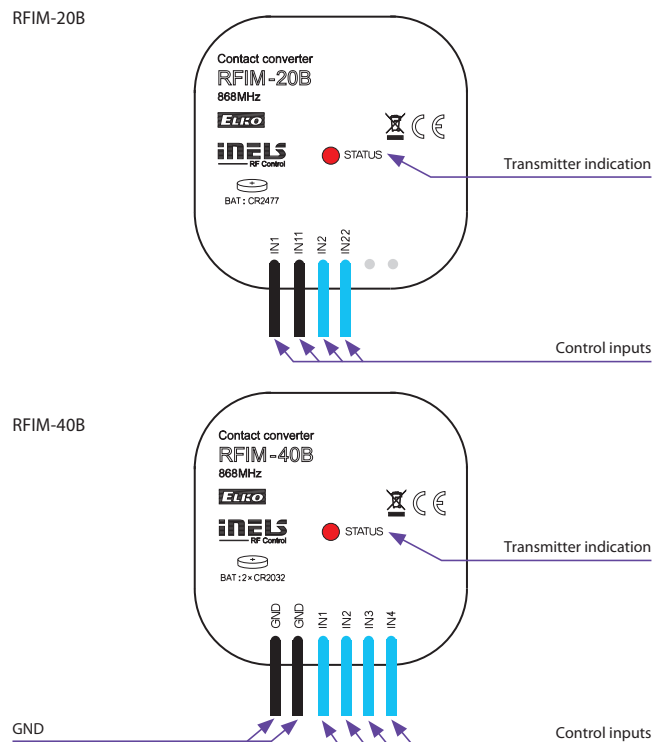




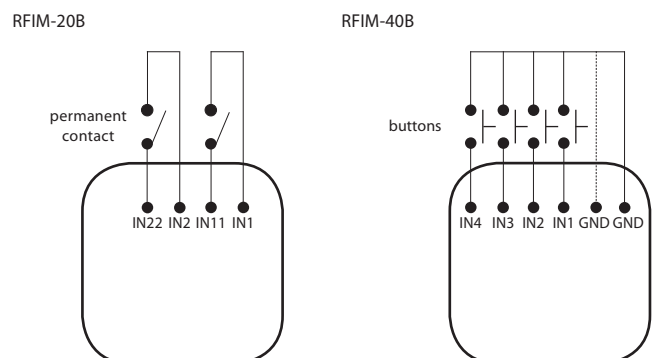
- **RFIM-20B:** the wireless contact converter changes your existing wired button/switch to a wireless one.
  - two inputs enable control of two units independent.
  - battery power supply (1x 3 V CR 2477 battery - included in the supply) with battery life of around 5 years based on frequency of use.
  - contact can be permanently closed (does not drain on the battery).
- **RFIM-40B:** the wireless contact converter changes your existing wired button to a wireless one.
  - four inputs enable control of four units independently.
  - battery power supply (2x 3 V CR 2032 batteries) with battery life of around 5 years based on frequency of use (included in the supply).
  - button control (input must not be permanently closed)
- It can be used to transmit information on switching on the contact (detector, button, technology, logic output).
- When pressing the button, it sends a set signal (ON/OFF, dimming, time switching OFF/ON, blinds up/down).
- Option of setting light scenes, where with a single press, you can control multiple units of iNELS RF Control.
- Range up to 200 m (in open space), if the signal is insufficient between the controller and unit, use the signal repeater RFRP-20 or protocol component RFIO2 that support this feature.
- Communication frequency with bidirectional protocol RFIO.
- The BOX design lets you mount it right in an installation box under the button or switch.

Technical parameters	RFIM-20B	RFIM-40B
Supply voltage:	1x 3 V CR 2477 battery	2x 3 V CR 2032 batteries
Battery life:	5 years based of frequency use	
Transmission indication / function:	orange LED	red LED
Number of inputs:	2	4
Input switching time:	Permanent input connection (contact)	Short-tem input connection (button)
<b>Control</b>		
Communication protocol:	RFIO	
Frequency:	866–922 MHz (for more information see p. 76)	
Repeater function:	no	
Signal transmission method:	unidirectionally addressed message	
Range:	in open space up to 200 m	
<b>Other data</b>		
Operating temperature:	-10 to +50 °C	
Operating position:	any	
Terminals (CY wire, cross-section):	4 x 0.75 mm <sup>2</sup>	6 x 0.75 mm <sup>2</sup>
Length of terminals:	90 mm	
Resist.of connection between terminals		
- for switched on button:	< 300 Ω	
- for disconnected contact:	> 10 kΩ	
Mounting:	free at lead-in wires	
Protection:	IP30	
Contamination degree:	2	
Dimensions:	49 x 49 x 13 mm	
Weight:	45 g	50 g
Open contact voltage:	pulse 12 V	3 V
Length of cable to contact:	max. 100 m of parallel lines	max. 5 m
Related standards:	EN 60669, EN 300 220, EN 301 489 R&TTE Directive, Order. No 426/2000 Coll. (Directive 1999/EC)	

Device description



Connection





- RFTC-50/G is a separate thermostat that allows wireless control of up to 4 multifunctional switching components, e.g. RFSA-6x, RFUS-61, RFSTI-11B.
- Temperature measurement with built-in sensor in the range of 0.55 °C, temperature setting in the range of 0 to + 55 °C in the weekly program.
- The backlit LCD display displays the current and set temperature, status (ON/OFF), battery status, day of the week, current time, etc.
- Battery power (2x 1.5 V AAA batteries - included in supply) with battery life of around 1 year based on frequency of use.
- Range up to 100 m (in open space), if the signal is insufficient between the controller and unit, use the signal repeater RFRP-20 or protocol component RFIO2 that support this feature.
- Communication frequency with bidirectional protocol RFIO.
- Colour combination of temperature unit in design of frames LOGUS<sup>90</sup> (plastic, glass, wood, metal, stone).

**Technical parameters RFTC-50/G**

Supply voltage:	2x 1.5 V AAA batteries
Battery life:	1 year based on frequency of use according to the number of controlling actuators
Temperature correction:	2 buttons √ / ▲
Temperature offset:	± 5 °C
Display:	LCD, characters / see Display description
Backlighting:	active 10 s after pressing
Transmission indication/function:	symbols
Temperature measurement:	1x internal sensor
Temp. measurement range and accuracy:	0 to +55 °C; 0.3 °C of the range

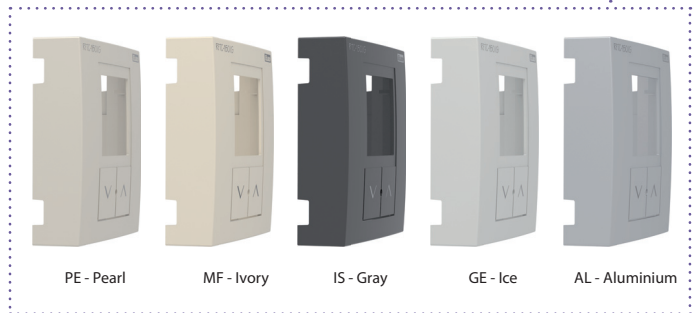
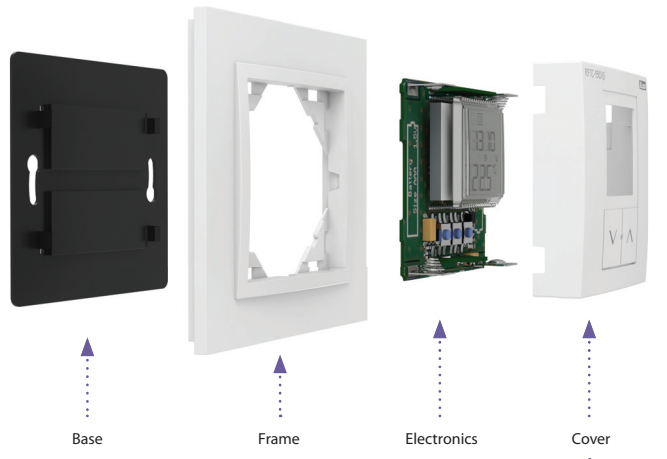
<b>Control</b>	
Communication protocol:	RFIO
Frequency:	866–922 MHz (for more information see p. 76)
Repeater function:	no
Signal transmission method:	bidirectionally addressed message
Range:	in open space up to 100 m
Minimum control distance:	20 mm

<b>Other data</b>	
Max. number of control.	
RFSA-6x:	4
Program:	Weekly
Operating temperature:	0 to + 55 °C
Operating position:	on the wall
Mounting:	by gluing/screwing
Protection:	IP30
Contamination degree:	2
Dimensions frame	
- plastic:	85 x 85 x 20 mm
- metal, glass, wood, granite:	94 x 94 x 20 mm
Weight:	66 g (without batteries)
Related standards:	EN 60669, EN 300 220, EN 301 489 directive R&TTE Directive, Order. No 426/2000 Coll. (Directive 1999/EC)

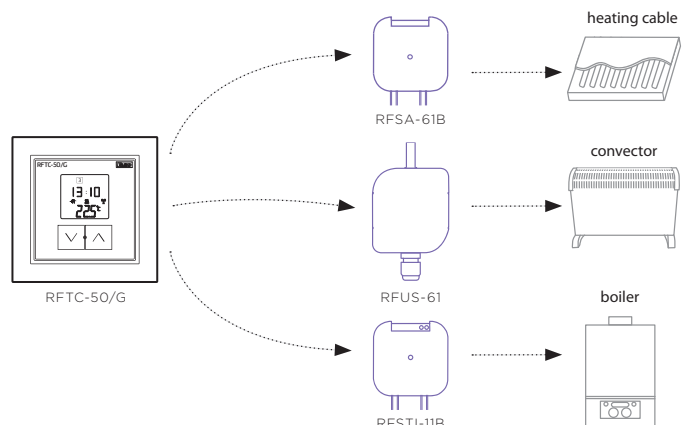
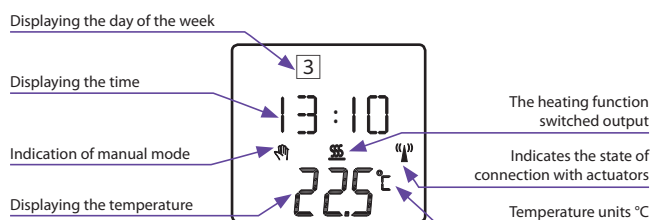
**Compatibility**

RF Touch	eLAN-RF	RFSA-6 x	RFSTI-11B	RFATV-1
-	-	✓	✓	-

**Device description**



**Display description**

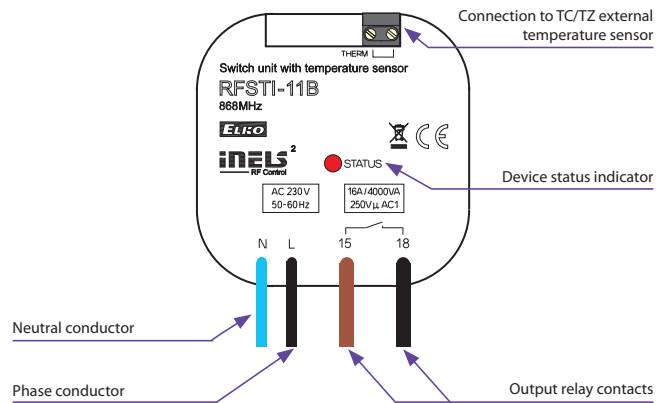




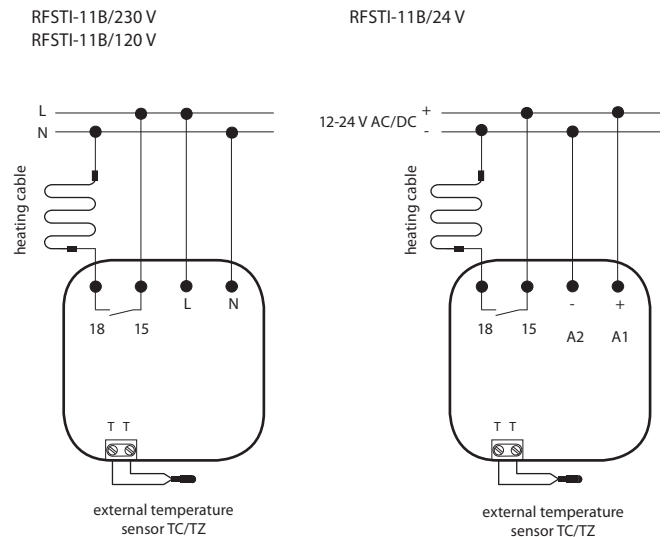
- The temperature unit measures the temperature by external sensor, and controls the heating circuit (electric underfloor heating, air conditioning, boiler, etc.).
- These can be combined with system units: smart RF box eLAN-RF, wireless controller RFTC-50/G or touch unit RF Touch.
- It measures temperature in a range of -20 to 50 °C and sends it to the system unit in regular 5 min. intervals. It sends a signal upon sudden temperature change.
- Setting the heat/cool function, hysteresis and offset is performed in the system unit or application.
- It enables connection of the switched load up to 16 A (4 000 W).
- Range up to 160 m (in open space), if the signal is insufficient between the controller and unit, use the signal repeater RFRP-20 or protocol component RFIO2 that support this feature.
- Communication frequency with bidirectional protocol RFIO2.
- The BOX design lets you mount it right in an installation box, a ceiling or controlled appliance cover.
- External sensor TC (-20 to +80 °C) or TZ (-40 to +125 °C) for length of 3 m, 6 m, 12 m. For more information see „Accessories“ on page 43.

Technical parameters	RFSTI-11B/230V	RFSTI-11B/120V	RFSTI-11B/24V
Supply voltage:	230 V AC	120 V AC	12-24 V AC/DC
Supply voltage frequency:	50-60 Hz	60Hz	50-60Hz
Apparent input:	7 VA/cos φ = 0.1		-
Dissipated power:	0.7 W		
Supply voltage tolerance:	+10 %; -15 %		
Temperature measurement input:	1x external TZ/TC temperature sensor input		
Temp. measurement range and accuracy:	-20 to +50 °C; 0.5 °C of the range		
<b>Output</b>			
Number of contacts:	1x switching (AgSnO <sub>2</sub> )		
Rated current:	16 A / AC1		
Switching power:	4000 VA/AC1, 384 W / DC		
Peak current:	30 A / <3 s		
Switching voltage:	250 V AC1 / 24 V DC		
Max. DC switching power:	500 mW		
Mechanical service life:	3x10 <sup>7</sup>		
Electrical service life (AC1):	0.7x10 <sup>5</sup>		
<b>Control</b>			
Communication protocol:	RFIO2		
Frequency:	866–922 MHz (for more information see p. 76)		
Repeater function:	yes		
Range:	in open space up to 160 m		
<b>Other data</b>			
Operating temperature:	-15 to + 50 °C		
Status indication:	red LED		
Operating position:	any		
Mounting:	free at lead-in wires		
Protection:	IP30		
Overvoltage category:	III.		
Contamination degree:	2		
Outlets (CY wire, cross-section, length):	2 x 0.75 mm <sup>2</sup> , 2 x 2.5 mm <sup>2</sup> , 90 mm		
Dimensions:	49 x 49 x 21 mm		
Weight:	46 g		
Related standards:	EN 60669, EN 300 220, EN 301 489 R&TTE Directive, Order. No 426/2000 Coll. (Directive 1999/EC)		

Device description



Connection



Temperature sensor input is at the supply voltage potential.

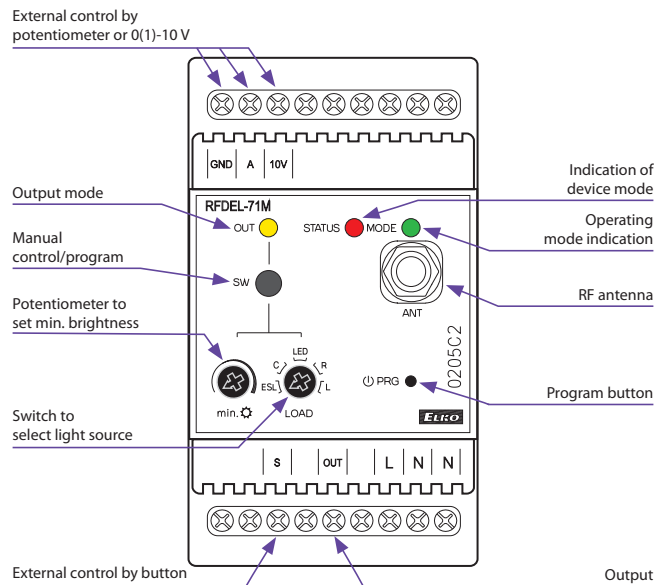


- The universal modular dimmer is used to regulate light sources:
  - R – classic lamps (resistive load)
  - L – halogen lamps with wound transformer (inductive load)
  - C – halogen lamps with electronic transformer (capacity load)
  - ESL – dimmable energy-efficient fluorescent lamps
  - LED – LED light sources equipped with LED.
- Control can be performed by:
  - a) detectors, Controllers and System units iNELS RF Control
  - b) by control signal 0(1)-10 V
  - c) potentiometer
  - d) existing button in the installation.
- 6 light functions - smooth increase or decrease with time setting 2 s -30 min. Function description can be found on page 75.
- Thanks to setting the min. brightness by potentiometer, you will eliminate flashing of the LED and ESL light sources.
- The universal dimmer may be controlled by up to 32 channels.
- The programming button on the controller is also used for manual control of the output.
- The package includes an internal antenna AN-I, in case of locating the unit in a metal switchboard, you can use the external antenna AN-E for better signal reception, see accessories on page 69.
- Memory status can be pre-set in the event of a power failure.
- Range up to 160 m (in open space), if the signal is insufficient between the controller and unit, use the signal repeater RFRP-20 or protocol component RFIO2 that support this feature.
- Communication frequency with bidirectional protocol RFIO2.
- The unit's three-module design with switchboard mounting.

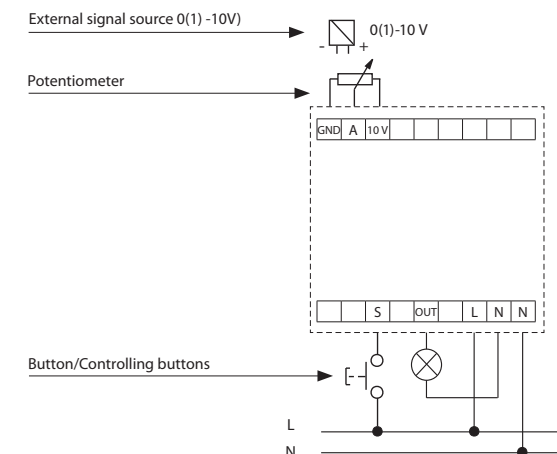
Technical parameters	RFDEL-71M/230V	RFDEL-71M/120V
Supply voltage:	230 V AC	120 V AC
Supply voltage frequency:	50 Hz	60 Hz
Apparent power:	2.5 VA	1.1 VA
Dissipated power:	0.8 W	0.6 W
Supply voltage tolerance:	+10/-15 %	
<b>Output</b>		
Dimmed load:	R,L,C, LED, ESL	
Contactless:	2 x MOSFET	
Load capacity:*	max. 600 W	max. 300 W*
<b>Control</b>		
Wireless:	up to 32 channels (buttons)	
Communication protocol:	RFIO2	
Frequency:	866–922 MHz (for more information see p. 76)	
Repeater function:	yes	
Range:	in open space up to 160 m	
Manual control:	SW (ON/OFF) button	
External button:	max. 50 m cable	
Glow lamps connection:	no	
Analog control:	potentiometer or 0 (1) - 10 V	
RF Antenna:	AN-I included (SMA connector**)	
<b>Other data</b>		
Operating temperature:	-20 to + 35 °C	
Storage temperature:	-30 to +70°C	
Operating position:	vertical	
Mounting:	DIN rail EN 60715	
Protection:	IP20 under normal conditions	
Overvoltage category:	II.	
Contamination degree:	2	
Cross-section of connecting wires:	max. 1x 2.5, max. 2x 1.5/with a hollow max. 1x 2.5	
Dimensions:	90 x 52 x 65 mm	
Weight:	125 g	
Related standards:	EN 607 30-1 ed.2	

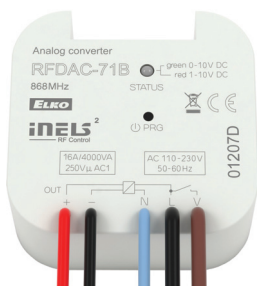
\* See page 75 for the load chart for each light source.  
 \*\* Max. Tightening Torque for antenna connector is 0.56 Nm.

**Device description**



**Connection and external control options**





### Technical parameters

### RFDAC-71B

Supply voltage:	110 - 230 V AC
Supply voltage frequency:	50 - 60 Hz
Apparent input:	3 VA
Dissipated power:	1.2 W
Supply voltage tolerance:	+10/-15 %

### Control

Potential-free analog output / max. current:	0(1)-10 V/10 mA
Rated current:	1x AgSnO <sub>2</sub> , switches the phase conductor
Switching power:	16 A / AC1
Switching power:	4000 VA/AC1
Switching voltage:	250 V AC1
Mechanical service life:	3x10 <sup>7</sup>
Electrical service life:	0.7x10 <sup>5</sup>
Indication:	red LED/green LED
Output selection:	0(1)-10V/PROG button

### Control

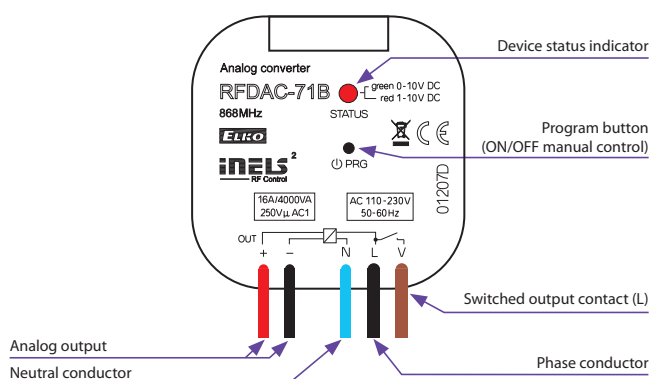
Wireless:	up to 25 channels (buttons)
Communication protocol:	RFIO2
Frequency:	866-922 MHz (for more information see p. 76)
Repeater function:	yes
Manual control:	button PROG (ON/OFF)
Range:	in open space up to 200 m
Minimal control distance:	20 mm

### Other data

Operating temperature:	-15 to + 50 °C
Operating position:	any
Mounting:	plug into a socket
Protection:	IP30
Overvoltage category:	III.
Contamination degree:	2
Terminals (CY wire, cross-section):	3 x 0.75 mm <sup>2</sup> , 2 x 2.5 mm <sup>2</sup>
Length of terminals:	90 mm
Dimensions:	49 x 49 x 21 mm
Weight:	52 g
Related standards:	EN 60669, EN 300 220, EN 301 489 R&TTE Directive, Order. No 426/2000 Coll. (Directive 1999/EC)

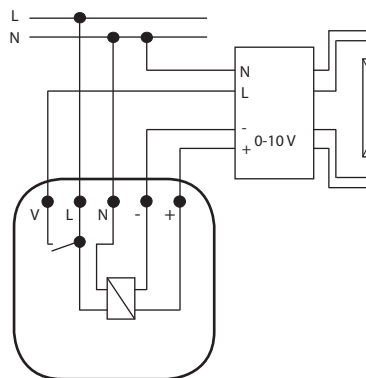
- The device with analog output 0(1) -10 V is used to control devices, luminaires, thermal actuators and thermal heads - which are equipped with such an input.
- They can be combined with detectors, controllers, iNELS RF Control or system components.
- Potential free analog output 0(1) -10 V, contact relay 16 A.
- 6 light functions - smooth increase or decrease with time setting 2 s - 30 min. Function description can be found on page 75.
- The analog controller may be controlled by up to 25 channels.
- The programming button on the controller is also used for manual control of the output.
- Memory status can be pre-set in the event of a power failure.
- Range up to 200 m (in open space), if the signal is insufficient between the controller and unit, use the signal repeater RFRP-20 or protocol component RFIO2 that support this feature.
- Communication frequency with bidirectional protocol RFIO2.
- The BOX design lets you mount it right in an installation box, a ceiling or light cover.

### Device description

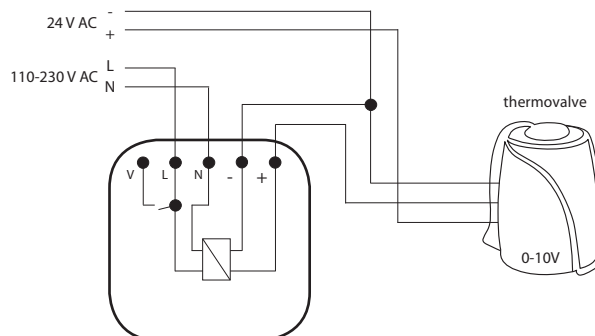


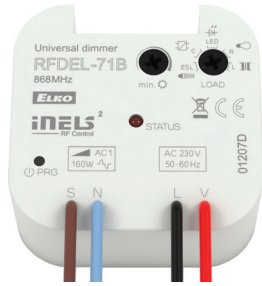
### Connection

Connection example: dimming of fluorescent tubes with dimmable ballast



Connection example: with thermo valve



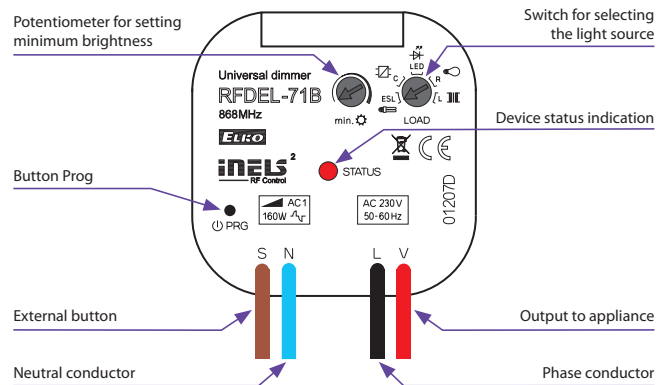


Technical parameters	RFDEL-71B/230V	RFDEL-71B/120V
Supply voltage:	230 V AC	120 V AC
Supply voltage frequency:	50 Hz	60 Hz
Apparent power:	1.1 VA	
Dissipated power:	0.8 W	
Supply voltage tolerance:	+10/-15 %	
Connection:	4-wire, with "NEUTRAL"	
<b>Output</b>		
Dimmed load:	R,L,C, LED, ESL	
Contactless:	2 x MOSFET	
Load capacity*:	max. 160 W	max. 80 W
<b>Control</b>		
Wireless:	up to 25 channels (buttons)	
Communication protocol:	RFIO2	
Frequency:	866-922 MHz (for more information see p. 76)	
Repeater function:	yes	
Range:	in open space up to 160 m	
Manual control:	button PROG (ON/OFF), external button	
Glow lamp connection:	no	
<b>Other data</b>		
Operating temperature:	-20 to +35°C	
Storage temperature:	-30 to +70°C	
Operating position:	any	
Mounting:	free at lead-in wires	
Protection:	IP30 under normal conditions	
Overvoltage category:	III.	
Contamination degree:	2	
Terminals (CY wire, Cross-section):	4 x 0.75 mm <sup>2</sup>	
Terminal length:	90 mm	
Dimensions:	49 x 49 x 21 mm	
Weight:	40 g	
Related standards:	EN 607 30-1 ED.2	

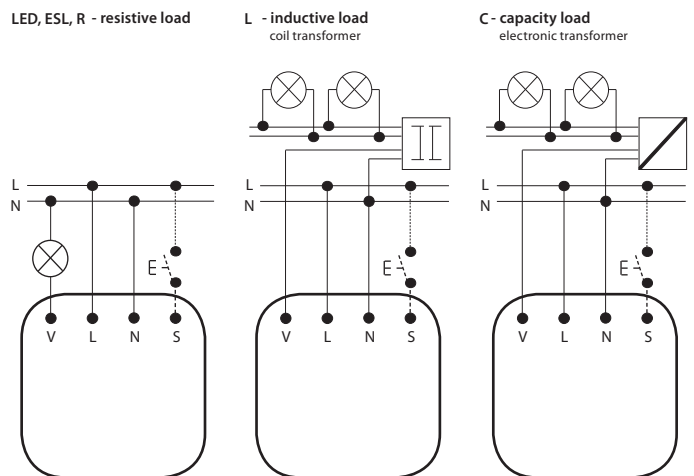
\* See page 75 for the load chart for each light source.

- The universal built-in dimmer is used to regulate light sources:
  - R – classic lamps (resistive load)
  - L – halogen lamps with wound transformer (inductive load)
  - C – halogen lamps with electronic transformer (capacity load)
  - ESL – dimmable energy-efficient fluorescent lamps
  - LED – LED light sources equipped with LED.
- They can be combined with detectors, controllers, iNELS RF Control or system components.
- 6 light functions - smooth increase or decrease with time setting 2 s - 30 min. Function description can be found on page 75.
- Thanks to setting the min. brightness by potentiometer, you will eliminate flashing of the LED and ESL light sources.
- The universal dimmer may be controlled by up to 25 channels.
- Connection of the existing button on the control input „S“ enables combination of wireless control with classic (wired) control.
- The programming button on the controller is also used for manual control of the output.
- Memory status can be pre-set in the event of a power failure.
- Range up to 160 m (in open space), if the signal is insufficient between the controller and unit, use the signal repeater RFRP-20 or protocol component RFIO2 that support this feature.
- Communication frequency with bidirectional protocol RFIO2.
- The BOX design lets you mount it right in an installation box, a ceiling or light cover.

**Device description**



**Connection**





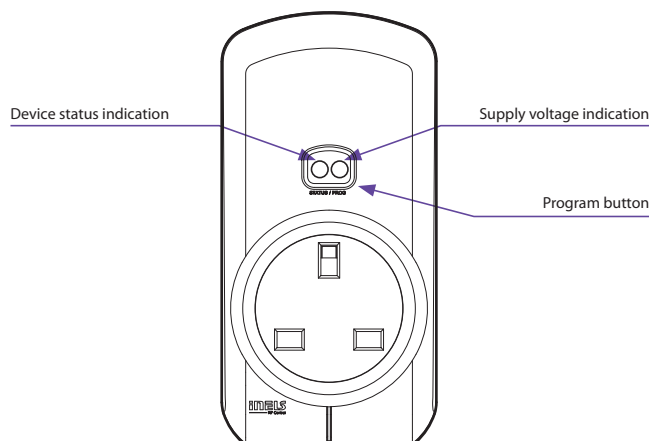


- The switched socket with 16 A output channel is used to control fans, lamps, heaters and appliances, which are connected by a 16 A power cord.
  - They can be combined with detectors, controllers, iNELS RF Control or system components.
  - Multi-function design – button, impulse relay and time function of delayed ON or OFF with time setting of 2 s - 60 min. Function description can be found on page 74.
  - The switched socket may be controlled by up to 32 channels .
  - Thanks to the socket design, installation is simple by direct insertion into the existing socket.
  - The programming button on the socket is also used for manual control of the output.
  - Memory status can be pre-set in the event of a power failure.
  - Range up to 200 m (in open space), if the signal is insufficient between the controller and unit, use the signal repeater RFRP-20 or protocol component RFIO2 that support this feature.
  - Communication frequency with bidirectional protocol RFIO.
- Produced in 3 designs of sockets/plugs:

Technical parameters	RFSC-61/230V	RFSC-61/120V
Supply voltage:	230 - 250 V AC	120 V AC
Supply voltage frequency:	50-60 Hz	60 Hz
Apparent power:	6 VA	
Dissipated power:	0.7 W	
Supply voltage tolerance:	+10 %; -15 %	
<b>Output</b>		
Number of contacts:	1x switching (AgSnO <sub>2</sub> )	
Rated current:	16 A / AC1	
Switching power:	4000 VA/AC1, 384 W/DC	
Peak current:	30 A/<3 s	
Switching voltage:	250 V AC1/24 V DC	
Min. switching power DC:	500 mW	
Mechanical service life:	3x10 <sup>7</sup>	
Electrical service life (AC1):	0.7x10 <sup>5</sup>	
<b>Control</b>		
Wireless:	up to 32 channels (buttons)	
Communication protocol:	RFIO	
Frequency:	866–922 MHz (for more information see p. 76)	
Repeater function:	no	
Manual control:	button PROG (ON/OFF)	
Range:	in open space up to 200 m	
<b>Other data</b>		
Operating temperature:	-15 to + 50 °C	
Working position:	any	
Mounting:	plug into a socket	
Protection:	IP30	
Overvoltage category:	III.	
Contamination degree:	2	
Dimensions:	60 x 120 x 80 mm	
Weight:	195 g	
Related standards:	EN 60669, EN 300 220, EN 301 489 R&TTE Directive, Order. No 426/2000 Coll. (Directive 1999/EC)	



**Device description**

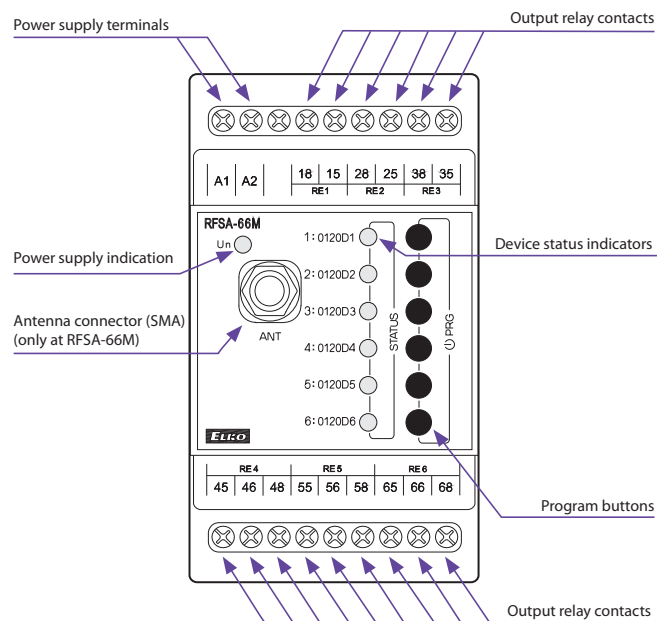




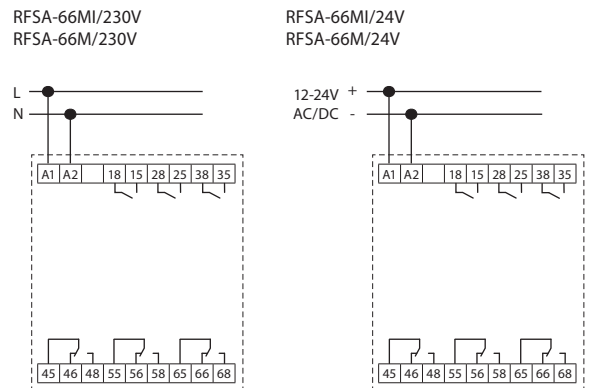
- **RFSA-66M:** the switching unit with 6 output channels 8 A is used for independent control of up to 6 appliances, sockets or lights.
  - the three-module design of the unit into a switchboard).
  - each of the channels may be controlled by up to 25 channels.
  - the package includes an internal antenna AN-I, in case of locating the element in a metal switchboard, you can use the external antenna AN-E for better signal reception, see accessories on page 75.
- **RFSA-66MI:** same design and function as RFSA-61M, but with integrated antenna. It is suitable for placement in cabinets with plastic doors.
- **6 function:** button, impulse relay and time function of delayed start or return with time setting range of 2 s - 60 min. Function description can be found on page 74.
- The programming button on the unit is also used for manual control of the output.
- Memory status can be pre-set in the event of a power failure.

Technical parameters	RFSA-66MI/230V	RFSA-66MI/24V	RFSA-66M/230V	RFSA-66M/24V
Supply voltage:	110-230V AC	12-24V AC/DC	110-230V AC	12-24V AC/DC
SELV:	no	yes	no	yes
Supply voltage frequency:	AC 50-60 Hz			
Apparent input:	min. 2 VA/ max. 5 VA	-	min. 2 VA/ max. 5 VA	-
Dissipated power:	min. 0.5W/ max. 2.5W	max. 1.8 W	min. 0.5W/ max. 2.5W	max. 1.8 W
Supply voltage tolerance:	+10%/-25 %			
<b>Output</b>				
Number of contacts:	3x changeover, 3x switching			
Rated current:	8 A/AC1			
Switching power:	2000 VA/AC1			
Peak current:	10 A/<3 s			
Switching voltage:	250 V AC1			
Contact material:	AgSnO <sub>2</sub>			
Mechanical service life:	1x10 <sup>7</sup>			
Electrical service life (AC1):	1x10 <sup>5</sup>			
<b>Control</b>				
Wireless:	up to 25 channels (buttons)			
Communication protocol:	RFIO2			
Frequency:	866-922 MHz (for more information see p. 76)			
Repeater function:	yes			
Manual control:	PROG (ON/OFF) button			
Range:	in open space up to 200 m			
RF Antenna:	integrated	AN-I *	integrated	AN-I *
<b>Other data</b>				
Operating temperature:	-15 °C to + 50 °C			
Operating position:	any			
Mounting:	DIN rail EN 60715			
Protection:	IP20 from the front panel			
Overvoltage category:	III.			
Contamination degree:	2			
Connecting conductor cross-section (mm <sup>2</sup> ):	max. 1x 2.5, max. 2x 1.5/ with a hollow max. 1x 2.5			
Dimensions:	90 x 17.6 x 64 mm			
Weight:	171 g		179 g	
Related standards:	EN 60669, EN 300 220, EN 301 489 R&TTE Directive, Order. No 426/2000 Coll. (Directive 1999/EC)			

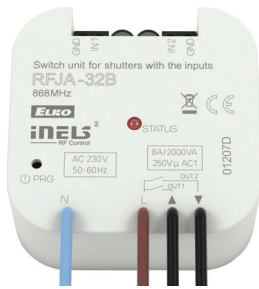
Device description



Connection



AN-I \* included (SMA connector), max Tightening Torque for antenna connector is 0.56 Nm.



Technical parameters	RFJA-32B/230V	RFJA-32B/120V	RFJA-32B/24V
Supply voltage:	230 V AC	120 V AC	5 - 24V DC
Supply voltage frequency:	50 - 60 Hz	60 Hz	x
Apparent input:	7 VA/cos φ = 0.1	7 VA/cos φ = 0.1	x
Dissipated power:	0.7 W	0.7 W	x
Power without load:		x	0.5 W
Power under load:		x	20 W
Supply voltage tolerance:		+10 %; -15 %	

<b>Input</b>	
Input:	2x switch or GND

<b>Output</b>	
Number of contacts:	2 x switching (AgSnO <sub>2</sub> ) contactless
Rated current:	8 A/AC1 1 A
Switching power:	2000 VA/AC1 x
Peak current:	10 A/<3 s 1.5 A/<3 s
Switching voltage:	250 V AC1 5-24 V DC*
Mechanical service life:	1x10 <sup>7</sup> x
Electrical service life (AC1):	1x10 <sup>5</sup> x

<b>Control</b>	
Wireless:	up to 25 channels (buttons)
Communication protocol:	RFIO2
Frequency:	866-922 MHz (for more information see p. 76)
Repeater function:	yes
Manual control:	PROG (STOP, ▲, STOP, ▼)
External button:	max. 12 m wire ▲**
Range:	in open space up to 100 m

<b>Other data</b>	
Operating temperature:	-15 to + 50 °C
Operating position:	any
Mounting:	free at lead-in wires
Protection:	IP30
Overvoltage category:	III.
Contamination degree:	2
Terminals:	0.5 - 1 mm <sup>2</sup>
Terminals (CY wire, cross section):	4 x 0.75 mm <sup>2</sup>
Length of terminals:	90 mm
Dimensions:	49 x 49 x 21 mm 49 x 49 x 13 mm
Weight:	46 g 22 g
Related standards:	EN 60669, EN 300 220, EN 301 489 R&TTE Directive, Order. No 426/2000 Coll. (Directive 1999/EC)

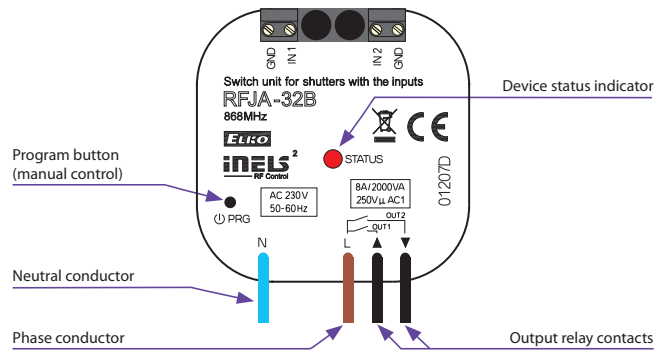
\* Identical with supply voltage.

\*\* We recommend using a twisted pair cable for this distance.

▲ The external button inputs are at the potential of the main supply voltage.

- The switching unit for blinds has 2 output channels used to control garage doors, gates, blinds, awnings, etc.
- It can be combined with Control or System units iNELS RF Control.
- **RFJA-32B/230V (120V):** relay contacts 2x 8 A (2x 2000 W), with the possibility of connecting external buttons. The relays block each other (only one direction of movement at a time).
- **RFJA-32B/24VDC:** contactless quiet switching with the ability to connect existing buttons. The drive is controlled by changing the polarity.
- Short presses (<2 s) of the controller enable tilting of lamellas, and a long press (>2 s) enables you to draw the blinds up or down to the end position.
- Each of the units may be controlled by up to 25 channels.
- The programming button on the unit is also used for manual control of the output.
- Range up to 100 m (in open space), if the signal is insufficient between the controller and unit, use the signal repeater RFRP-20 or protocol component RFIO2 that support this feature.
- Communication frequency with bidirectional protocol RFIO2.
- The BOX design lets you mount it right in an installation box, a ceiling or motor drive cover.

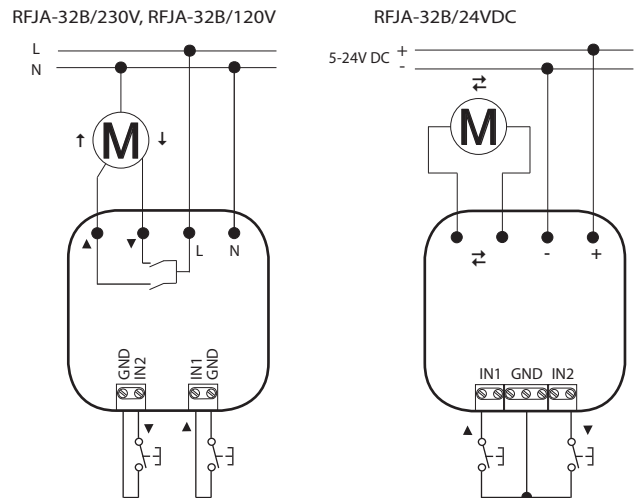
**Device description**

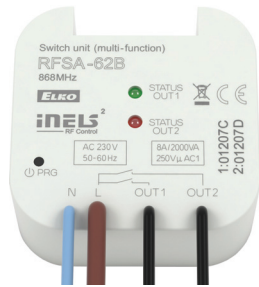


**Function description**

1. Short presses (<2 s) of the control allow the slats to be tilted.
2. When the control button is pressed >2 s shutters move up (▲) or down (▼) until reaching the final position. The travel time of the blinds is set with the programming button.

**Connection**

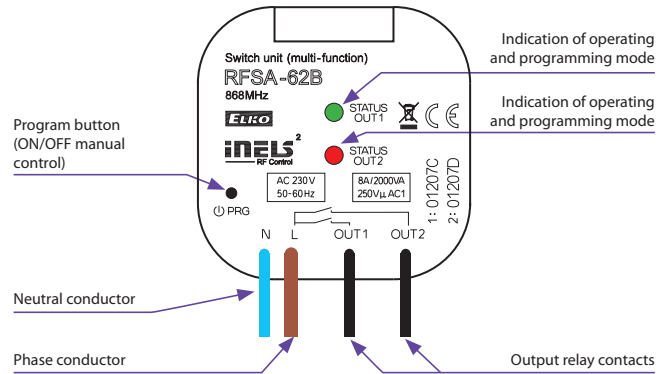




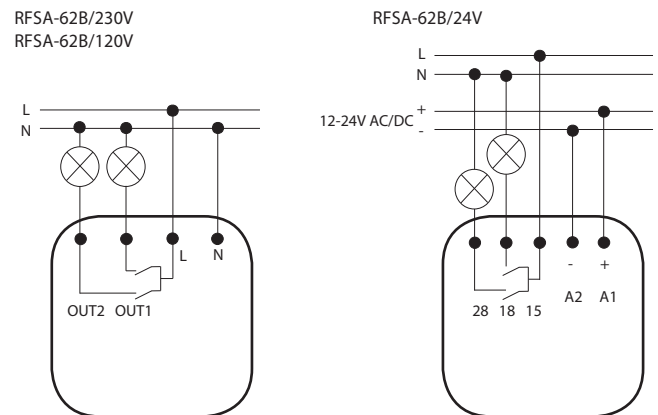
Technical parameters	RFSA-62B/230V	RFSA-62B/120V	RFSA-62B/24V
Supply voltage:	230 V AC	120 V AC	12-24 V AC/DC
Supply voltage frequency:	50-60 Hz	60Hz	50-60Hz
Apparent input:	7 VA/cos φ = 0.1	7 VA/cos φ = 0.1	-
Dissipated power:	0.7 W	0.7 W	0.7 W
Supply voltage tolerance:	+10 %; -15 %		
<b>Output</b>			
Number of contacts:	2 x switching (AgSnO <sub>2</sub> )		
Rated current:	8 A / AC1		
Switching power:	2000 VA/AC1		
Peak current:	10 A/<3 s		
Switching voltage:	250 V AC1		
Max. DC switching power:	500 mW		
Mechanical service life:	1x10 <sup>7</sup>		
Electrical service life (AC1):	1x10 <sup>5</sup>		
<b>Control</b>			
Wireless:	each of the outputs up to 12 channels (buttons)		
Communication protocol:	RFIO2		
Frequency:	866–922 MHz (for more information see p. 76)		
Repeater function:	yes		
Manual control:	button PROG (ON/OFF)		
Range:	in open space up to 100 m		
<b>Other data</b>			
Operating temperature:	-15 to + 50 °C		
Operating position:	any		
Mounting:	free at lead-in wires		
Protection:	IP30		
Overvoltage category:	III.		
Contamination degree:	2		
Terminals (CY wire, cross-section):	1x 2.5 mm <sup>2</sup> , 3x 0.75 mm <sup>2</sup>	1x2.5, 4x0.75mm <sup>2</sup>	
Length of terminals:	90 mm		
Dimensions:	49 x 49 x 21 mm		
Weight:	46 g		
Related standards:	EN 60669, EN 300 220, EN 301 489 R&TTE Directive, Order. No 426/2000 Coll. (Directive 1999/EC)		

- The switching unit with 2 output channels 8A used to control two independent appliances.
- They can be combined with detectors, controllers, iNELS RF Control or system components.
- Function: button, impulse relay and time function of delayed start and return with time setting range of 2 s - 60 min. Function description can be found on page 74.
- Each of the channels may be controlled by up to 12 channels.
- The programming button on the unit is also used for manual control of the output.
- Memory status can be pre-set in the event of a power failure.
- Range up to 100 m (in open space), if the signal is insufficient between the controller and unit, use the signal repeater RFRP-20 or protocol component RFIO2 that support this feature.
- Communication frequency with bidirectional protocol RFIO2.
- The BOX design lets you mount it right in an installation box, a ceiling or controlled appliance cover.

Device description



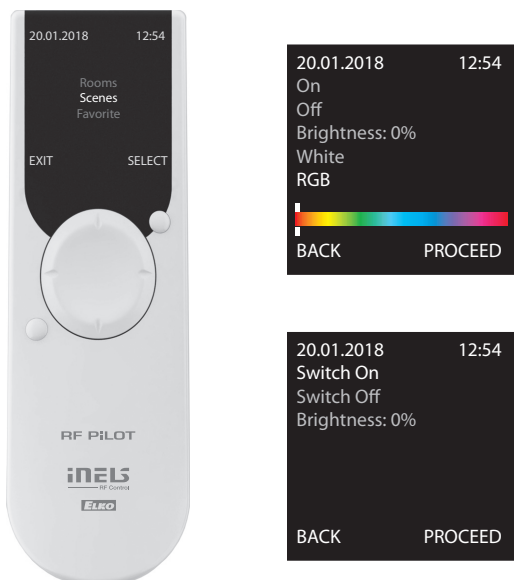
Connection





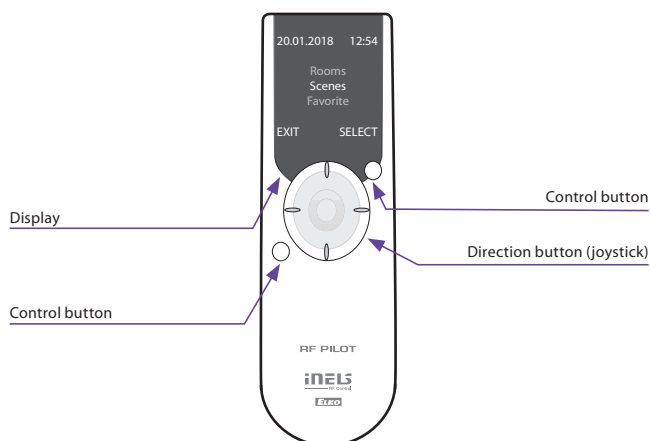
Technical parameters	RF Pilot/W	RF Pilot/A
<b>Display</b>		
Type:	colour OLED	
Resolution:	128 x 128 pixels	
Side ratio:	1:1	
Visible surface:	26 x 26 mm	
Backlighting:	self-illuminating text	
Diagonal:	1.5"	
Control:	direction button, control buttons	
<b>Power supply</b>		
Power supply:	2 x 1.5 V AAA batteries/R03	
Battery life:	approx. 3 years, according to the frequency of use and battery type	
<b>Control</b>		
Range:	in open space up to 200 m	
Communication protocol:	RFIO	
Frequency:	866–922 MHz (for more information see p. 76)	
<b>Other data</b>		
Operating temperature:	0 to +55 °C	
Storage temperature:	-20 to +70 °C	
Colour design:	white	anthracite
Protection:	IP20	
Operating position:	any	
Dimensions:	130 x 41 x 18 mm	
Weight:	61 g	
Related standards:	EN 60730-1	

### RF Pilot



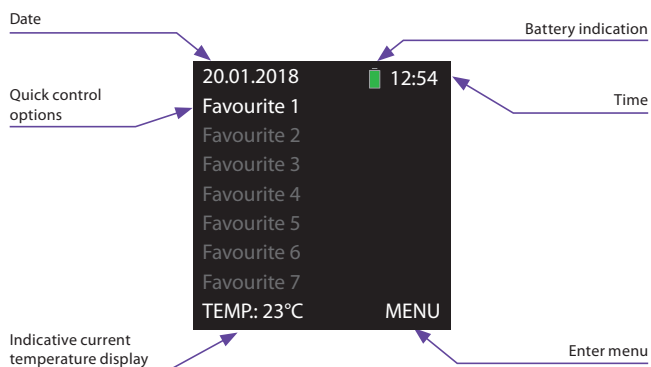
- The Remote RF controller with display is a central controller for switching electrical appliances and equipment, dimming lights, controlling blinds, etc.
- Designed in white and anthracite with colour OLED display.
- 4 directional joystick + 2 buttons for intuitive operation.
- Option of setting light scenes, where with a single press, you can control up to 40 units at once.
- Display of room temperature, battery status, date and time directly on display.
- The Favorites mode lets you preset the most frequently used devices on the home screen.
- Bidirectional communication, transmits and receives commands and displays the status of units.
- Thanks to the function of measuring the signal between the controller and unit, you can use it for testing the range and signal quality.
- Battery power (2x 1.5 V AAA batteries - included in supply) with battery life of around 3 years based on frequency of use and type of batteries.
- Range up to 200 m (in open space), if the signal is insufficient between the controller and unit, use the signal repeater RFRP-20 or protocol component RFIO2 that support this feature.
- Communication frequency with bidirectional protocol RFIO.

### Device description



### Display description

#### Colour LED display

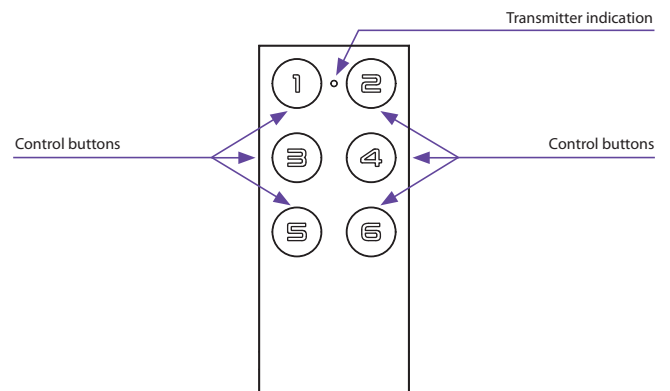




- Key fob -sized remote control, available in black and white.
- When pressing the button, it sends a set signal (ON/OFF, dimming, time switching OFF/ON, blinds up/down).
- **RF KEY-40:** four buttons enable control of four units independently.
- **RF KEY-60:** six buttons enable control of four units independently.
- Battery power supply (3 V CR 2032 battery - included in the supply) with battery life of around 5 years based on frequency of use.

Technical parameters	RF KEY-40	RF KEY-60
Supply voltage:	3 V CR 2032 battery	
Battery life:	around 5 years based on frequency of use	
Transmission indication:	red LED	
Number of buttons:	4	6
Communication protocol:	RFIO	
Transmitter frequency:	866–922 MHz (for more information see p. 76)	
Signal transmission method:	unidirectionally addressed message	
Range:	in open space up to 200 m	
<b>Other data</b>		
Operating temperature:	-10 to +50 °C	
Operating position:	any	
Colour design:	white, black	
Protection:	IP20	
Contamination degree:	2	
Dimensions:	64 x 25 x 10 mm	
Weight:	16 g	
Related standards:	EN 60669, EN 300 220, EN 301 489 R&TTE Directive, Order. No 426/2000 Coll. (Directive 1999/EC)	

Device description



Variants



RF KEY-40/W



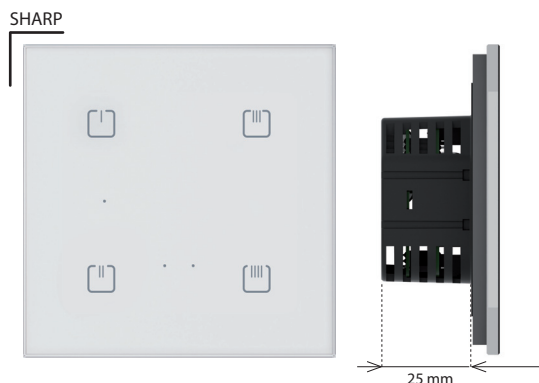
RF KEY-60/W



RF KEY-40/B

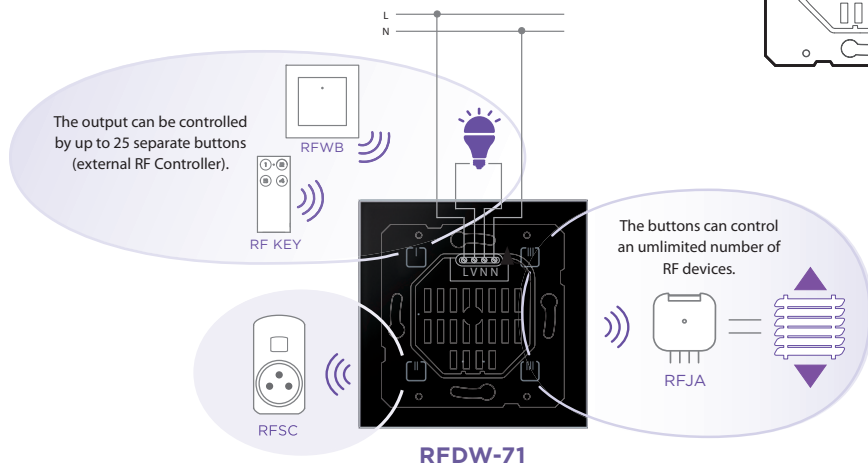


RF KEY-60/B



Technical parameters	RFDW-71/230V	RFDW-71/120V
Supply voltage:	230 V AC/50 Hz	120 V AC/60 Hz
Apparent power:	1.1 VA	1.1 VA
Dissipated power:	0.8 W	0.8 W
Supply voltage tolerance:	±10 %	
Dimmed load:	R,L,C, LED, ESL	
<b>Input</b>		
Temperature measuring:	YES, built-in temperature sensor	
Scope and accuracy of temp. measurement:	0 to +55°C; 0.3°C from the range	
<b>Output</b>		
Contactless:	2 x MOSFET	
Load capacity:*	max. 160 W	max. 80 W
<b>Control</b>		
Wireless:	up to 25 channels (buttons)	
Communication protocol:	RFIO2	
Frequency:	866–922 MHz (for more information see p. 76)	
Repeater function:	yes	
Manual control:	4 touch keys, button PROG	
Indications touch keys:	red/green LED	
Indications PROG:	colour adjustable prog. mode	
Range:	in open space up to 160 m	
<b>Connection</b>		
Terminals:	0.5 - 1 mm <sup>2</sup>	
<b>Other data</b>		
Operating temperature:	-20 to + 35°C	
Storing temperature:	-30 to +70°C	
Protection degree:	IP20	
Overvoltage category:	II.	
Pollution degree:	2	
Operation position:	any	
Installation:	into installation box	
Dimensions:	94 x 94 x 36 mm	
Weight:	155 g	

\* See page 79 for the load chart for each light source.



- Glass touch controller with integrated dimming component which serves to regulate light sources:
  - R – classic lamps (resistive load)
  - L – halogen lamps with wound transformer (inductive load)
  - C – halogen lamps with electronic transformer (capacity load)
  - ESL – dimmable energy-efficient fluorescent lamps
  - LED – LED light sources (230 V) equipped with LED.
- 4 channel switch version allows you to control the integrated dimmer as well as other components of the installation.
- They can be combined with detectors, controllers, iNELS RF Control or system components.
- 6 light functions - smooth increase or decrease with time setting 2 s - 30 min. Function description can be found on page 75.
- When switched off, the set level is stored in the memory, and when switched back on, it returns to the most recently set value.
- Thanks to setting the min. brightness by potentiometer, you will eliminate flashing of the LED and ESL light sources.
- The universal dimmer may be controlled by up to 25 channels.
- The programming button on the controller is also used for manual control of the output.
- Memory status can be pre-set in the event of a power failure.
- Range up to 160 m (in open space), if the signal is insufficient between the controller and unit, use the signal repeater RFRP-20 or protocol component RFIO2 that support this feature.
- Communication frequency with bidirectional protocol RFIO2.

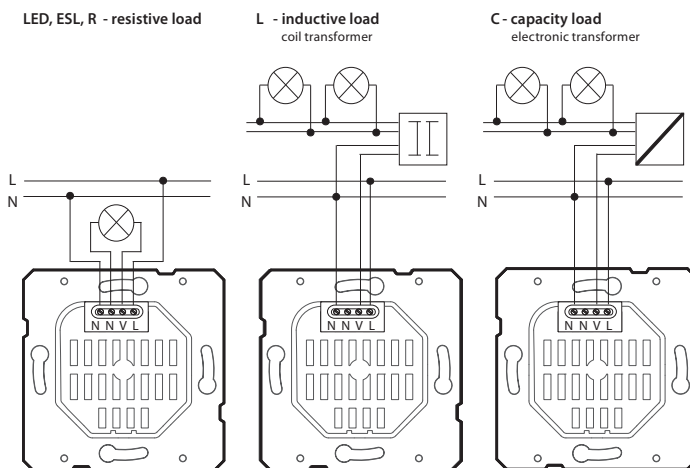
#### Colour variants

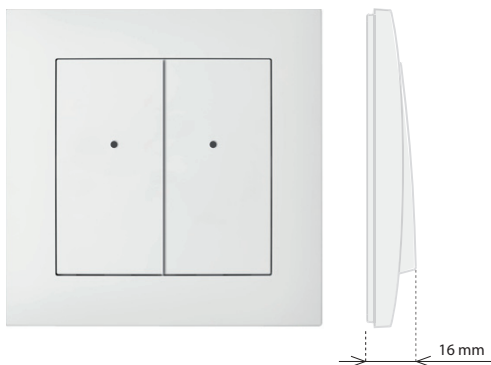


RFDW-71/B

RFDW-71/W

#### Connection





- On-wall button controller is used to control switches and dimmers (lights, gate, garage door, blinds, etc.).
- **RFWB-20/G**: two buttons enable control of two units independently.
- **RFWB-40/G**: four buttons enable control of four units independently.
- The flat design with level base makes it ideal for fast installation on any surface (fixation with adhesive or screws in the installation box).
- When pressing the button, it sends a set signal (ON/OFF, dimming, time switching OFF/ON, blinds up/down).
- Sending a command is indicated by a red LED.
- In LOGUS<sup>90</sup> switch frame design (plastic, glass, wood, metal, stone).
- Option of setting light scenes, where with a single press, you can control units of iNELS RF Control.
- Battery power supply (3 V CR 2032 battery - included in the supply) with battery life of around 5 years based on frequency of use.
- Range up to 200 m (in open space), if the signal is insufficient between the controller and unit, use the signal repeater RFRP-20 or protocol component RFIO2 that support this feature.
- Communication frequency with bidirectional protocol RFIO.

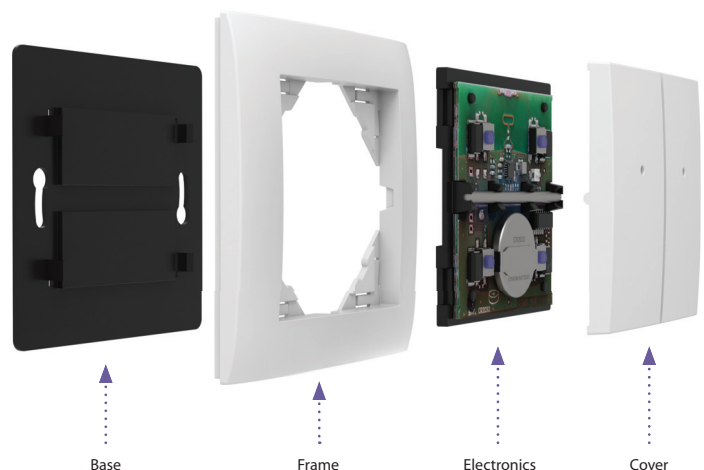
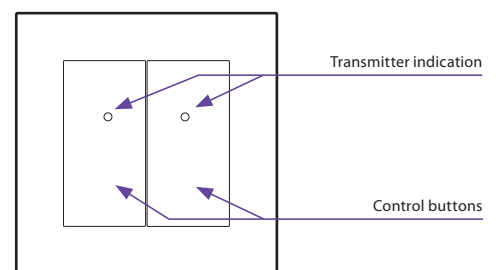
Technical parameters	RFWB-20/G	RFWB-40/G
Supply voltage:	3 V CR 2032 battery	
Battery life:	around 5 years based on frequency of use	
Transmission indication:	red LED	
Number of buttons:	2	4
Communication protocol:	RFIO	
Frequency:	866–922 MHz (for more information see p. 76)	
Signal transmission method:	unidirectionally addressed message	
Range:	in open space up to 200 m	
<b>Other data</b>		
Operating temperature:	-10 to +50 °C	
Operating position:	any	
Mounting:	glue/screws	
Protection:	IP20	
Contamination degree:	2	
<b>Dimensions frame</b>		
- plastic:	85 x 85 x 16 mm	
- metal, glass, wood, granite:	94 x 94 x 16 mm	
Weight (plastic):*	38 g	39 g
Related standards:	EN 60669, EN 300 220, EN 301 489 R&TTE Directive, Order. No 426/2000 Coll. (Directive 1999/EC)	

\* Comes with plastic frame. No installation into multi-frames.

RFWB-40/G



#### Device description



## LOGUS<sup>90</sup>

### Choose your own style

Flat wireless switches that can be mounted on glass, tile, furniture ...  
Such a quick change of location when you're moving.

